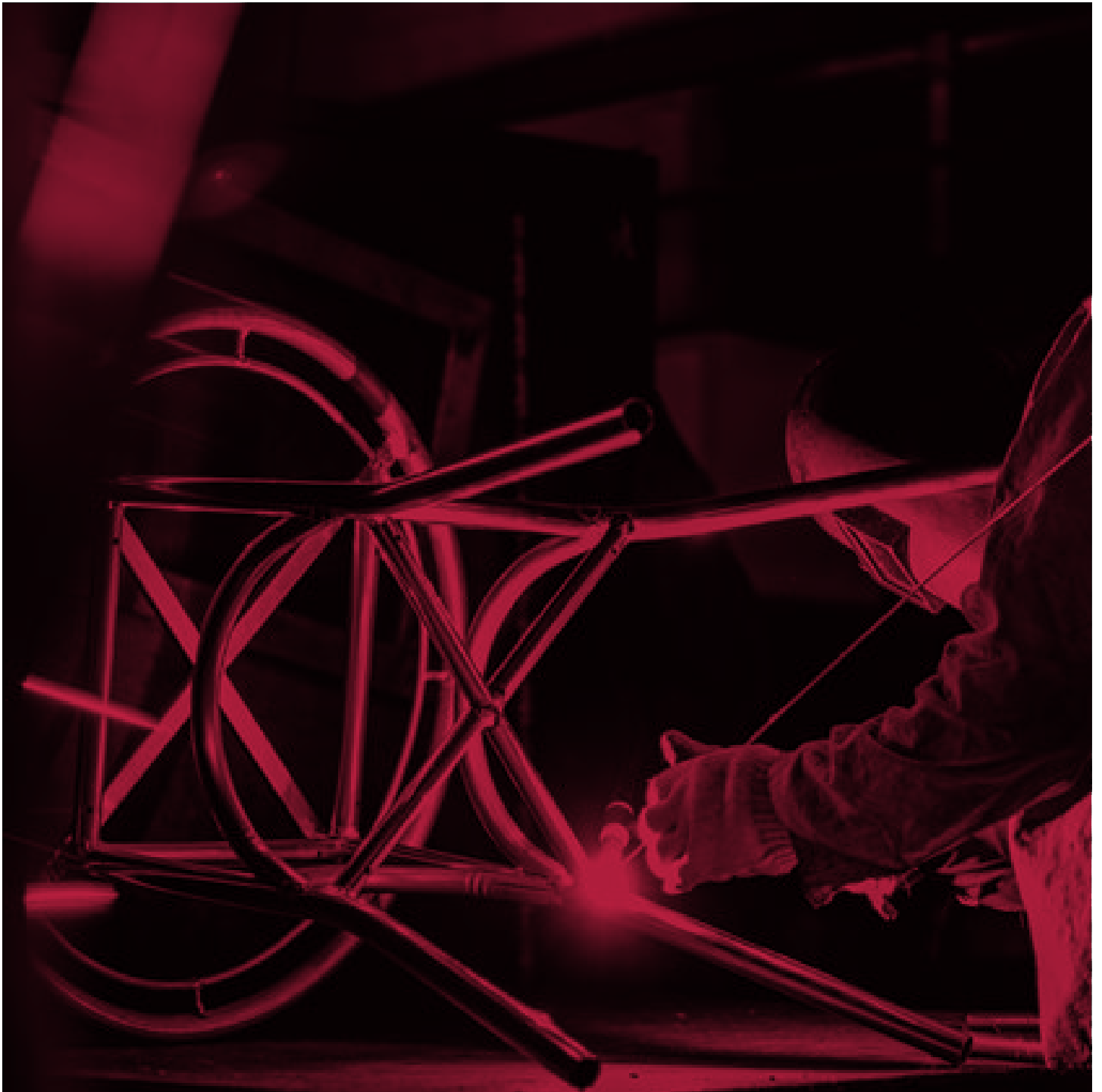


K D S

26/
27.



K D S

Step into the world of Kian Design Studio (KDS), where ideas, cultures, and quiet refinement come together.

Powered by KIAN's global expertise and manufacturing heritage, KDS presents a curated collection of original designs by internationally recognised designers, balancing form, function, and thoughtful proportions.

Crafted for hospitality, dining, workspaces, and beyond, each piece reflects a commitment to enduring quality and the subtle art of living well.

Turn the page to explore.

CATALOGUE
2026/27



WE BELIEVE
IN DESIGN
TO GROW
SUSTAINABLY

WHAT WE DO

From a quiet café corner to a thoughtfully designed restaurant, or a refined hotel setting KDS products shapes spaces where people gather, unwind, and connect.

Present across over 100 countries, our collections are crafted for hospitality, dining, education, and beyond. Whether for large-scale projects or more intimate settings, we bring the same level of care, precision, and attention to detail, delivering quality without compromise.



OUR CAPABILITIES

At KDS, quality begins at the source. Through a trusted global network of suppliers, every material is carefully selected and rigorously examined to meet our exacting standards before production.

Backed by strong manufacturing expertise, we ensure consistency, efficiency, and value without compromising on detail or performance.

Our original designs, created in collaboration with internationally recognised designers, are exclusive to KDS, crafted to deliver both style and enduring functionality across every space.



BETTER DESIGN
BETTER VALUE
BETTER WORLD

OUR BRAND PROMISE

We believe in doing things with intention, so every promise we make is one we stand by.

BETTER DESIGN

A considered approach to design, where form and function exist in quiet balance. Our original pieces, created with internationally recognised designers, are shaped to suit diverse spaces with clarity and purpose.

BETTER VALUE

A seamless experience, from concept to completion. With integrated solutions, reliable delivery, and thoughtful execution, we ensure quality and efficiency, without compromise.

BETTER WORLD

A commitment to responsible design. We work towards creating spaces that are not only refined, but mindful, supporting a more sustainable and considered way of living.



CHOOSE SUSTAINABILITY

It begins with a clear belief, that the way we design should be as thoughtful as the way we live.

Sourced from vulnerable coastlines and nearby waters, ocean-bound plastic is transformed into materials that shape our pieces. What was once discarded becomes part of something purposeful, enduring, and thoughtfully made.

More than a material, it reflects an intention, a balance between design, function, and responsibility. Each piece is created to live with ease: refined, quietly functional, and mindful of the world around us.

A more thoughtful way of living.





CONTENTS

CHAIRS

Sou _18
Ovni_32
Odeon_38
Zeal _44
Bobby _50
Rope _58
Bebo _66
Saho _74
Nordic _82
Dana _88
Astras _94
Tribute _104
Birdie _110
Grado _116
Eli _122
120 _128
Louvre _134
Sponge _140

LOUNGE CHAIRS

Lune _148
Album _156
Pinna _166
Gajah _172

SOFAS

Mosaico _180
Lai _188

TABLES

Clan _196
Ebony _202
Knots_206
Kanpai_210
Mizo _216
T-4 _218
Barkas _220
Kaleidos _222
Bonde_224
Venus_230
Daun _234

STOOLS

Evo_240
Rumble _248
Cap _254

ACCESSORIES

Ad-lib_260
Spiga_268



CHAIRS

Sou _18
Ovni_32
Odeon_38
Zeat _44
Bobby _50
Rope _58
Bebo _66
Saho _74
Nordic _82
Dana _88
Astras _94
Tribute _104
Birdie _110
Grado _116
Eli _122
120 _128
Louvre _134
Sponge _140

Sou

Simple. Versatile. Sustainable.

SOU adapts effortlessly across spaces from offices to cafés, bars, and restaurants with multiple base options, it offers flexibility without compromising on form.

Its ergonomic shell, crafted from ocean-bound plastic, follows the body's natural posture, delivering comfort through soft, considered curves.

Designed with intention, SOU brings together refined simplicity and responsible materials, enhancing spaces with ease.

v **Sou barstool 4 legs**
Polypropylene onyx
Mild steel textured black

Clan rectangle bar table
MDF blush
Solid ash natural

design Sakura Adachi

v Sou chair trestle on castors

o Polypropylene moss
Polish cast aluminium

v Clan rectangle table

MDF sage
Solid ash natural



v **Sou chair 4 legs**
Polypropylene onyx
Mild steel textured black



sou collection



sou collection



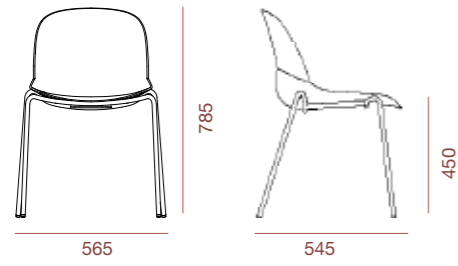
- ↳ **Sou** chair sled leg
 Polypropylene moss
 Mild steel textured moss
- ▼ **Sou** barstool 4 legs on castor
 Polypropylene white sand
 Mild steel textured white sand
- Clan** round bar table
 MDF graphite
 Solid ash natural



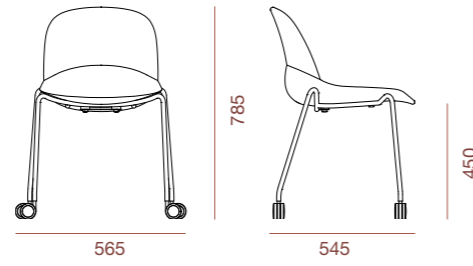


Sou

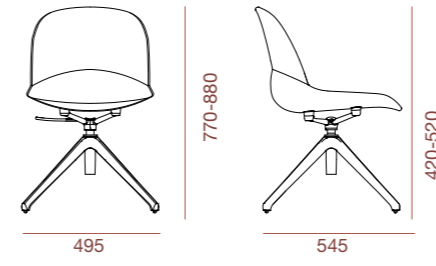
CHAIR 4 LEGS



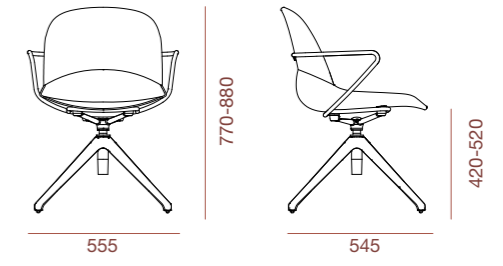
CHAIR 4 LEGS ON CASTORS



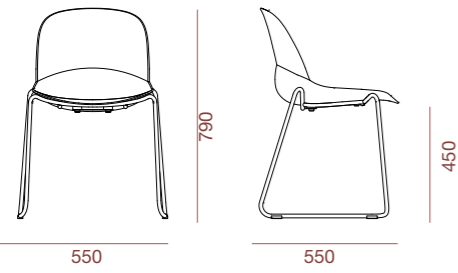
CHAIR TRESTLE



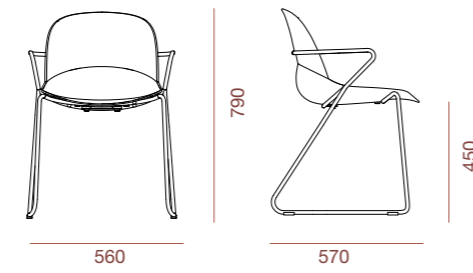
ARMCHAIR TRESTLE



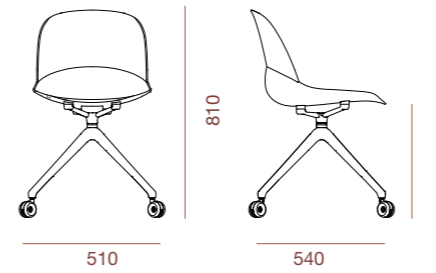
CHAIR SLED



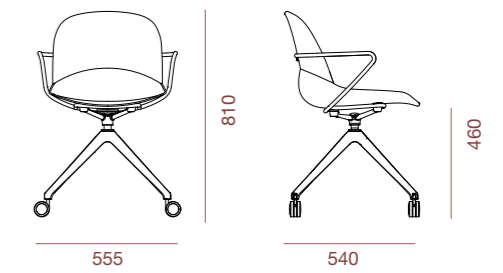
ARMCHAIR SLED



CHAIR TRESTLE ON CASTORS

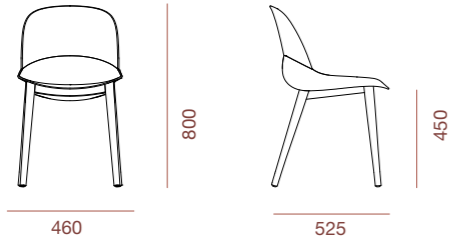


ARMCHAIR TRESTLE ON CASTORS

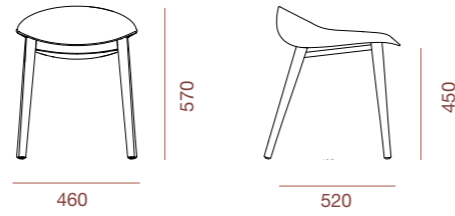


Sou

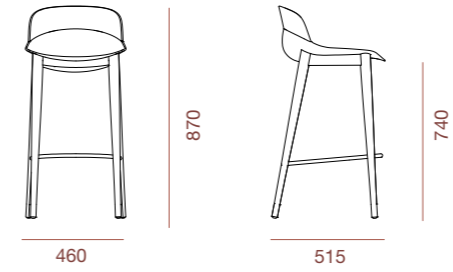
CHAIR WOODEN LEGS



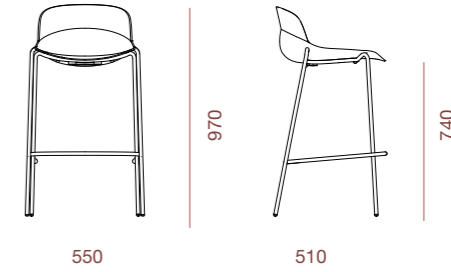
STOOL WOODEN LEGS



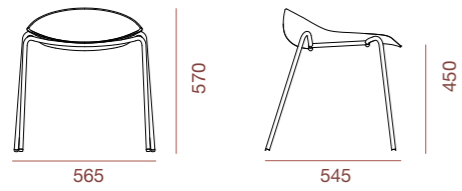
LOW BACK BARSTOOL WOODEN LEGS



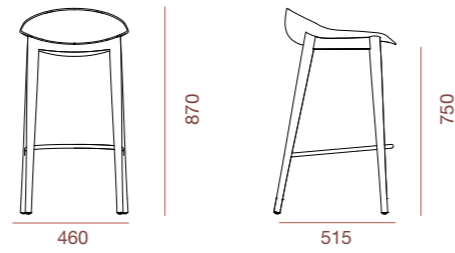
LOW BACK BARSTOOL 4 LEGS



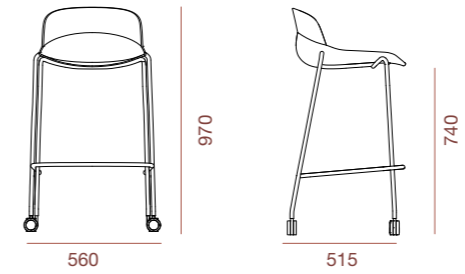
STOOL 4 LEGS



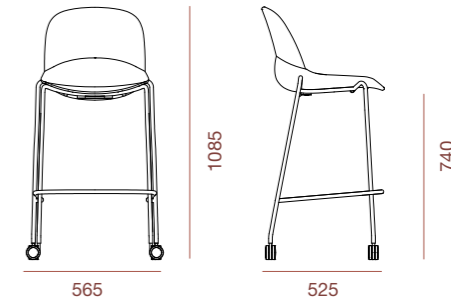
HIGH STOOL WOODEN LEGS



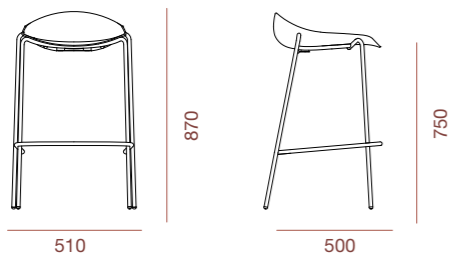
LOW BACK BARSTOOL 4 LEGS ON CASTORS



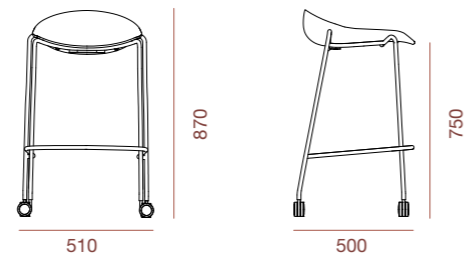
BARSTOOL 4 LEGS ON CASTORS



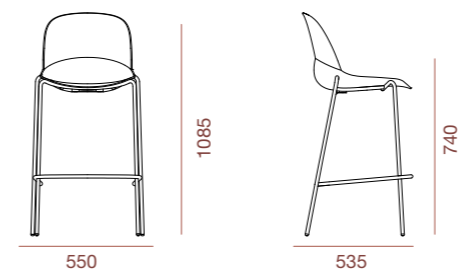
HIGH STOOL 4 LEGS



HIGH STOOL 4 LEGS ON CASTORS



BARSTOOL 4 LEGS



MATERIAL

Shell: Polypropylene

Legs: Powder Coated Steel / Ash / Cast Aluminium

PATENT REGISTERED

Ovni

An exercise in minimalism, OVNI is shaped by the geometry of the oval. Crafted from laminated plywood on a metal frame, its gently curved backrest and seat mirror one another, creating balance and comfort. Designed to fit effortlessly into any space.

Ovni chair
Veneer ash natural
rPES fabric
Mild steel black

Sharon table
HPL ash
Mild steel black

design Enrique Martí Associates

v **Ovni** barstool
Veneer ash natural
Mild steel texture light grey



ovni collection

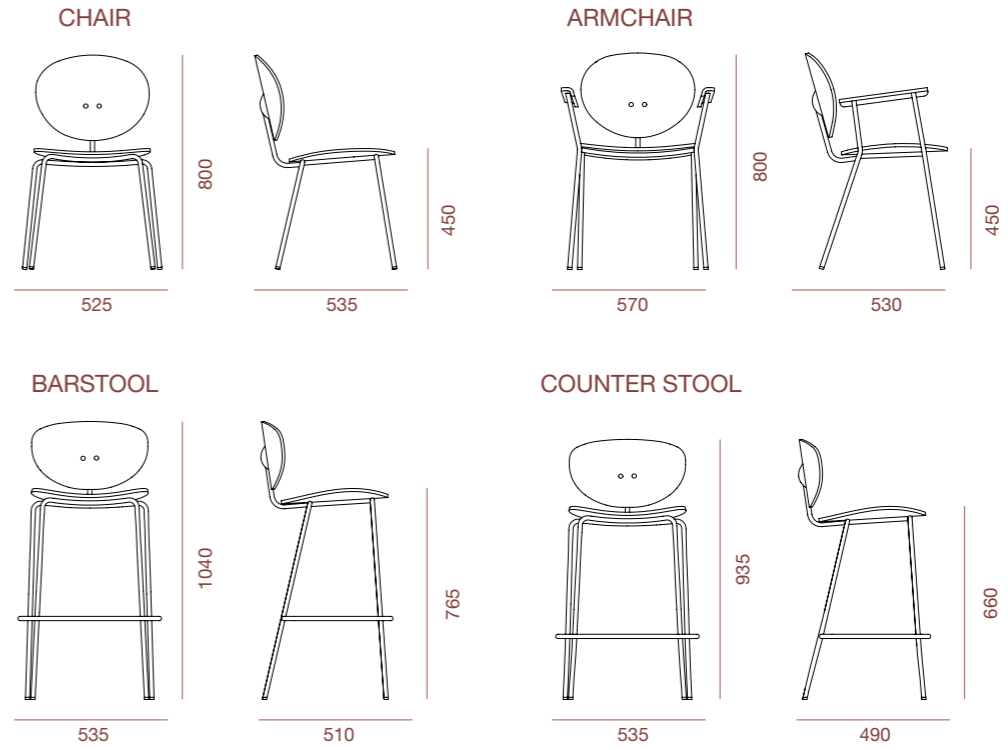


ovni collection

Ovni



OVNI COLLECTION



MATERIAL

Shell: Ash Veneer / Oak Veneer / Walnut Veneer / HPL/Fabric
Legs: S.S PVD/Powder Coated Steel

Odeon

Inspired by Art Nouveau, Odeon reinterprets its elegance through refined, controlled lines. Stripped of excess, it focuses on clarity of form while retaining a sense of fluidity and grace.

With its balanced proportions and gentle curves, Odeon brings an understated elegance to the spaces it inhabits designed for both comfort and considered living.

v **Odeon** chair and barstool

Veneer ash classic

Mild steel black

Quad table

HPL Black

Mild steel black



design Enrique Martí Associates



V **Odeon chair**
Veneer ash natural / walnut
Mild steel white

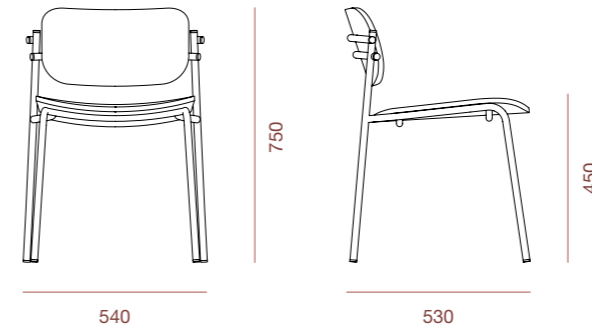
Odeon chair and barstool
Veneer ash natural / walnut
Mild steel white



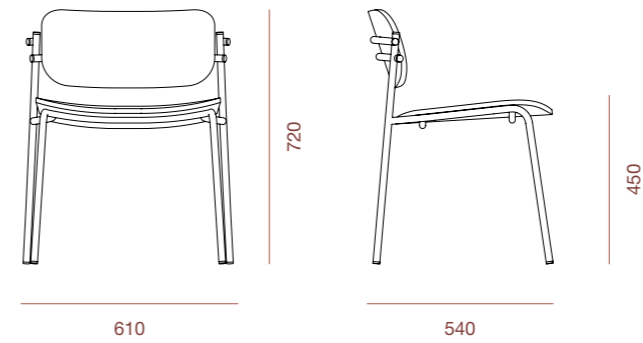
Odeon

ODEON COLLECTION

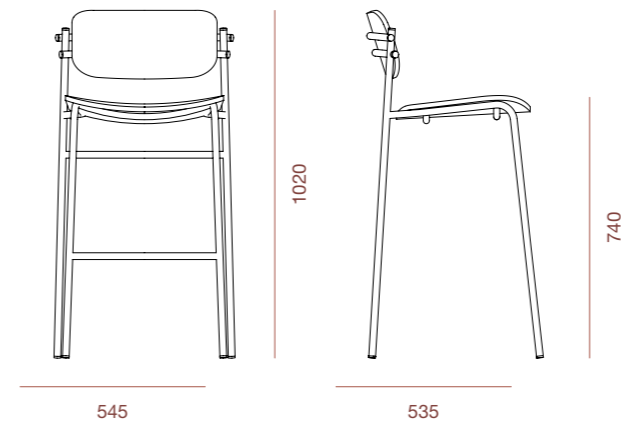
CHAIR



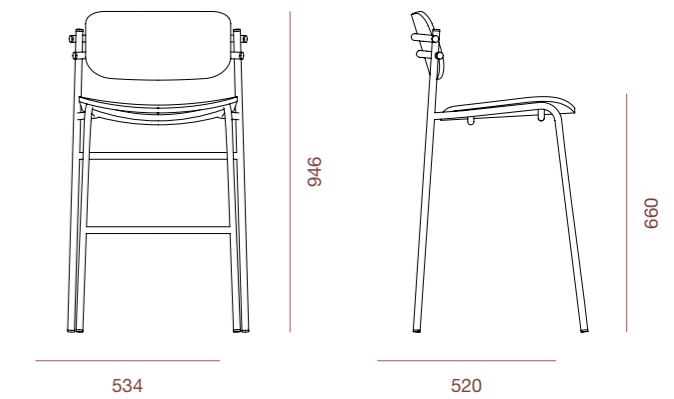
LOUNGE CHAIR



BARSTOOL



COUNTER STOOL



MATERIAL

Shell: Ash Veneer / Oak Veneer / Walnut Veneer / HPL
 Legs: S.S PVD/Powder Coated Steel

PATENT REGISTERED



Zeat

Inspired by the elegance of Scandinavian design, Zeat celebrates simplicity through refined craftsmanship. Clean lines and gentle curves come together in a form that is both minimal and distinctive.

Crafted with a lightweight steel frame, Zeat is designed for ease and versatility, well suited for hospitality and dining spaces where comfort and clarity of design matter.

v **Zeat** armchair
Veneer ash natural
Mild steel black



v **Zeat** chair and chair trestle with wheel

Veneer ash natural
Mild steel black

Zeat upholstered chair

Babel water green
Mild steel black

Quad rectangular table

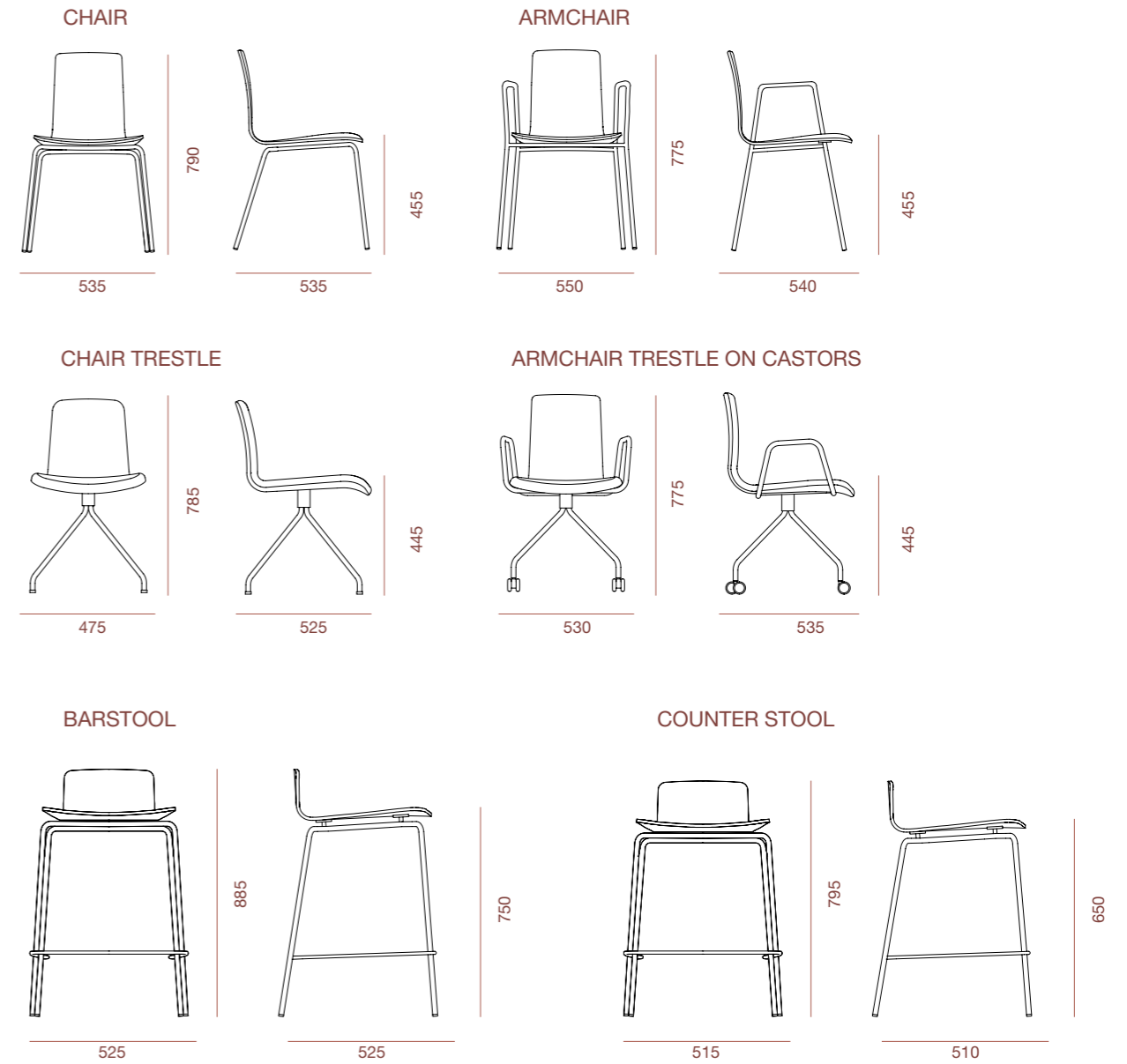
HPL white
Mild steel black



Zeat



ZEAT COLLECTION



MATERIAL

Shell: Ash Veneer / Oak Veneer / Walnut Veneer
 Legs: Powder Coated Steel

PATENT REGISTERED

Bobby

There is an appeal in simplicity and Bobby embraces it fully. Defined by a gently rounded backrest and a clean, balanced form, it brings a sense of ease to any space.

Crafted with a durable steel frame, Bobby is both sturdy and stackable, designed for everyday versatility. From casual settings to more refined environments, it adapts effortlessly through its finish and colour.

- v **Bobby chair**
Veneer ash natural
Mild steel black
- Knots table**
HPL white
Mild steel black



design Enrique Martí Associates

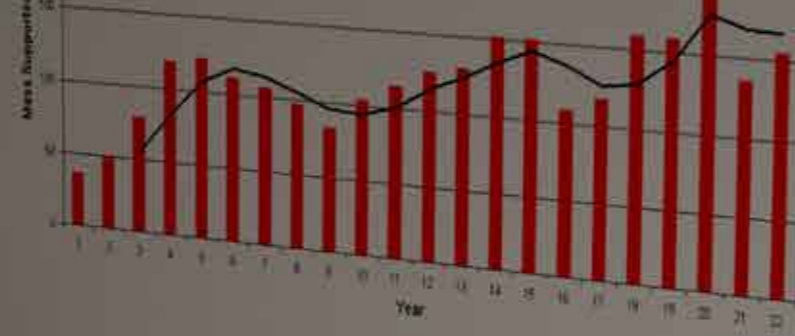


v **Bobby** barstool
Veneer ash natural
Mild steel black

Mizo bar table base
HPL natural ash
Mild steel black



v **Bobby chair**
Veneer ash matt black
Mild steel black



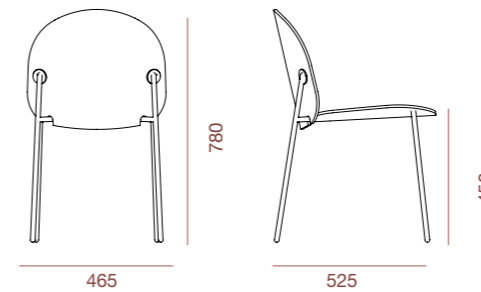
Bobby



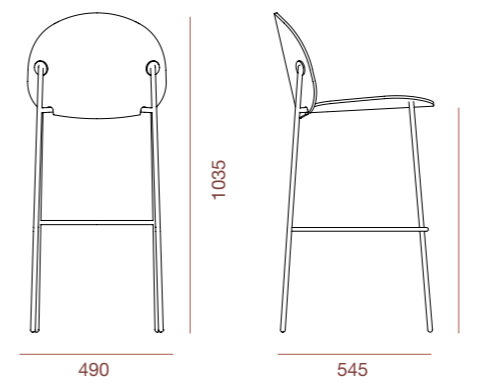
bobby collection

BOBBY COLLECTION

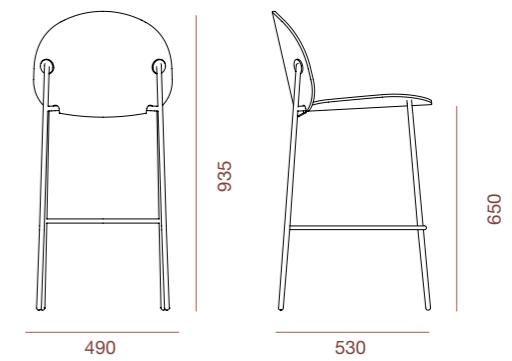
CHAIR



BARSTOOL



COUNTER STOOL



MATERIAL

Shell: Ash Veneer / Oak Veneer / Walnut Veneer
Legs: Powder Coated Steel

PATENT REGISTERED

Rope

Inspired by neoclassical artistry, Rope reinterprets the elegance of Art Nouveau through softer volumes and balanced proportions.

Refined detailing meets a sense of structure, bringing together strength and subtle expression. The result is a collection that feels both composed and versatile designed to complement a range of spaces with understated ease.

v **Rope armchair**
SPU Arizona forest
Mild steel black

Rope table
HPL black
Mild steel black

design Enrique Martí Associates

v **Rope** barstool, armchair and chair

SPU Arizona forest
Mild steel black

Barkas table

HPL walnut
Aluminium black



rope collection

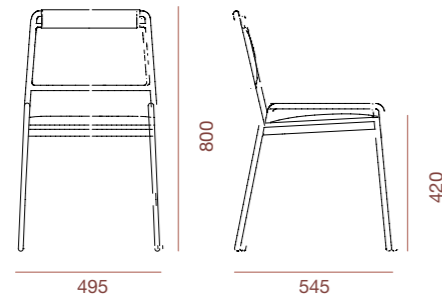


rope collection

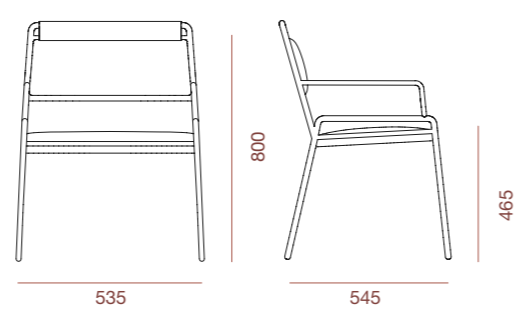


Rope

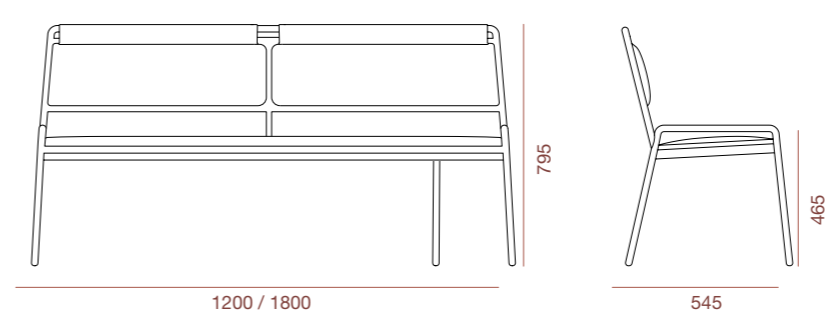
CHAIR



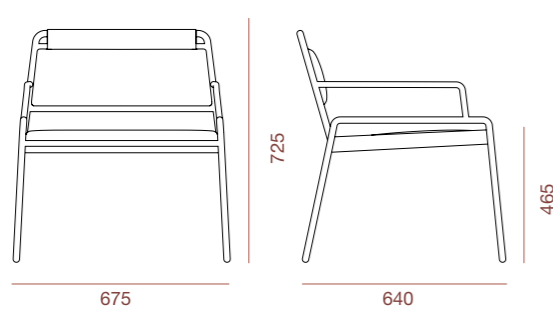
ARMCHAIR



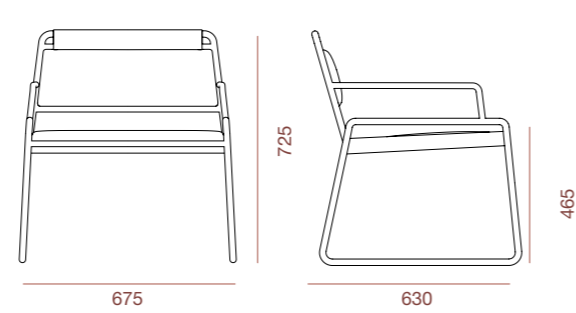
BENCH



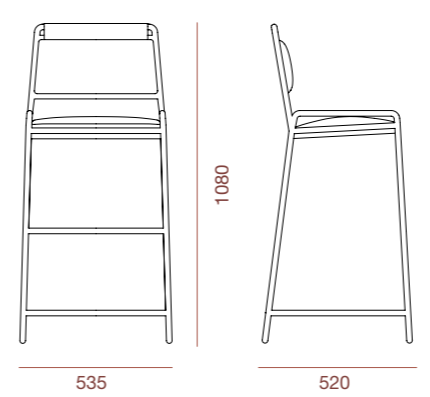
LOUNGE ARMCHAIR



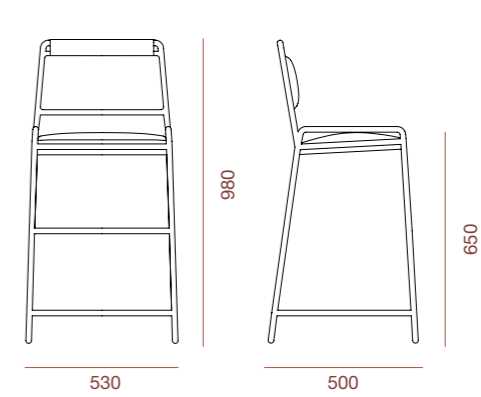
LOUNGE ARMCHAIR SLED



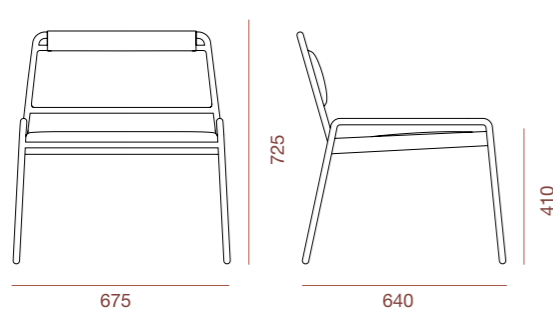
BARSTOOL



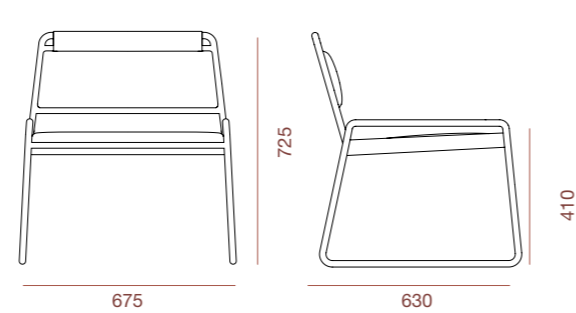
COUNTER STOOL



LOUNGE CHAIR



LOUNGE CHAIR SLED



MATERIAL
 Shell: Fabric / Vinyl
 Legs: Powder Coated Steel

PATENT REGISTERED



Bebo

Inspired by the evolving rhythm of design, Bebo is shaped by soft, rounded forms that evoke a sense of movement and ease.

Its moulded foam seat delivers exceptional comfort, while its silhouette draws from the expressive spirit of the 50s and 60s. A contemporary take on timeless design.

v **Bebo** armchair- bold

Fabric water green
Mild steel black

Victoria rectangular table

Veneer ash natural



design Enrique Martí Associates



Bebo armchair sled frame
Fabric red
Mild steel black

Western table
HPL ash natural
Oak solid wood natural
Aluminium black

v **Bebo** armchair 4 legged slim
Fabric dark grey
Mild steel black



bebo collection



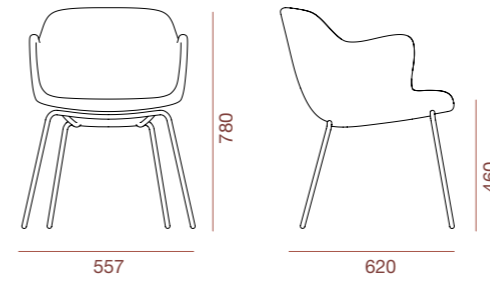
bebo collection

Bebo

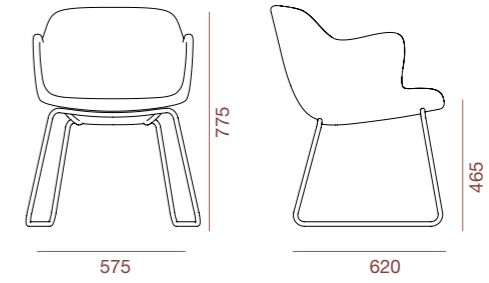


BEBO COLLECTION

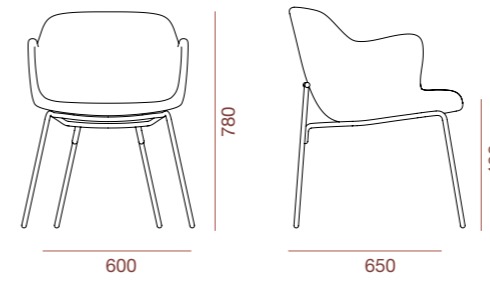
4 LEGGED SLIM



SLED FRAME



4 LEGGED BOLD



MATERIAL

Shell: Fabric

Legs: Powder coated steel

Saho

Inspired by gestures of etiquette and ease, Saho brings together wood and rattan in a refined, balanced form. The horizontal back bar allows for effortless movement, enhancing the experience for both guests and service alike. Quietly elevating the experience of dining spaces.

v **Saho chair**
Solid ash natural
Fabric grace ash

design Sakura Adachi

v **Saho chair**
Solid ash natural
Fabric grace forest

Saho counter stool
Solid ash natural
Fabric grace forest

v **Saho** counter stool
Solid ash natural
Fabric khaki



saho collection



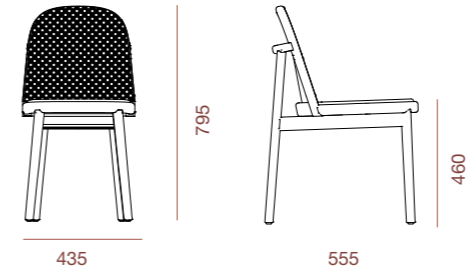
saho collection

Saho

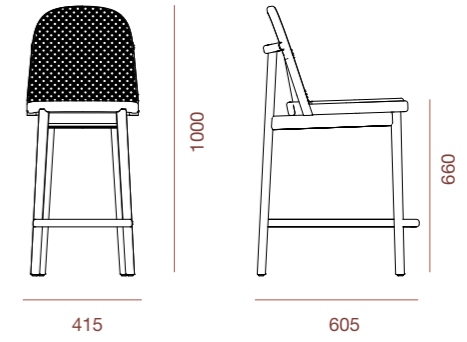


SAHO COLLECTION

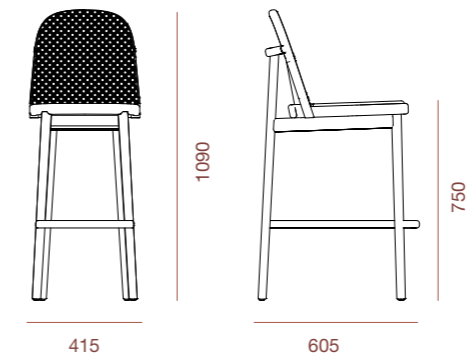
CHAIR



COUNTER STOOL



BARSTOOL



MATERIAL
Frame: Solid ash
Back: Rattan
Seat: Fabric

Nordic

Nordic celebrates the natural beauty and warmth of wood. Crafted in solid beech or ash, the chair highlights the wood's character, texture, and gentle strength. Its clean lines and soft proportions create a welcoming seat that feels both refined and timeless, with an upholstered option available for added comfort.

v **Nordic** armchair
Oak natural
Fabric Brooklyn beige



design Enrique Martí Associates

v **Nordic armchair**
Oak smoke
Fabric Babel water green

Knots table
HPL white
S.S PVD hairline bronze

v **Nordic armchair**
Oak smoke
Fabric Babel toffe

Mizo table
HPL ash natural
Mild steel matt black

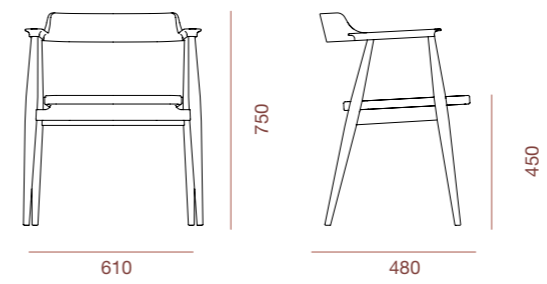


Nordic



NORDIC COLLECTION

ARMCHAIR



MATERIAL
Frame: Solid Oak / Solid Beech
Seat: Fabric / Vinyl

Dana

Defined by soft curves and balanced by a sense of structure, Dana reinterprets Scandinavian design with quiet confidence.

Its sculpted form is complemented by a lightweight presence, offering both visual ease and everyday comfort. Available in oak, with or without an upholstered seat and back, Dana brings a refined warmth to the spaces it inhabits.

v **Dana chair**
Veneer oak natural and smoke

Mizo table
HPL calacatta marble
Mild steel black



design Enrique Martí Associates



v **Dana chair**
Veneer oak natural

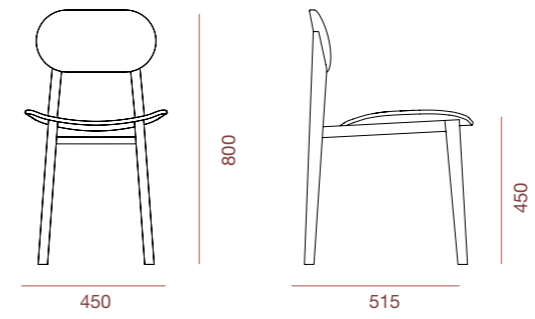


Dana



DANA COLLECTION

CHAIR



MATERIAL
Frame: Solid Oak
Backrest & Seat: Oak Veneer

PATENT REGISTERED



Astras

Subtle details make the difference. Astras reinterprets the classic wooden chair with softened edges and gently rounded surfaces bringing a sense of refinement to a familiar form. Crafted in solid oak or beech, with the option of an upholstered seat, Astras offers a balance of warmth, comfort, and timeless simplicity.

v **Astras** chair
Oak walnut and natural
Fabric Babel silver

design Enrique Martí Associates



v Astras chair and armchair
Oak natural
Vinly Tokyo anthracite



v **Astras** chair
Oak natural
Fabric Babel yellow

Barkas table
HPL natural oak
Mild steel black



astras collection



astras collection





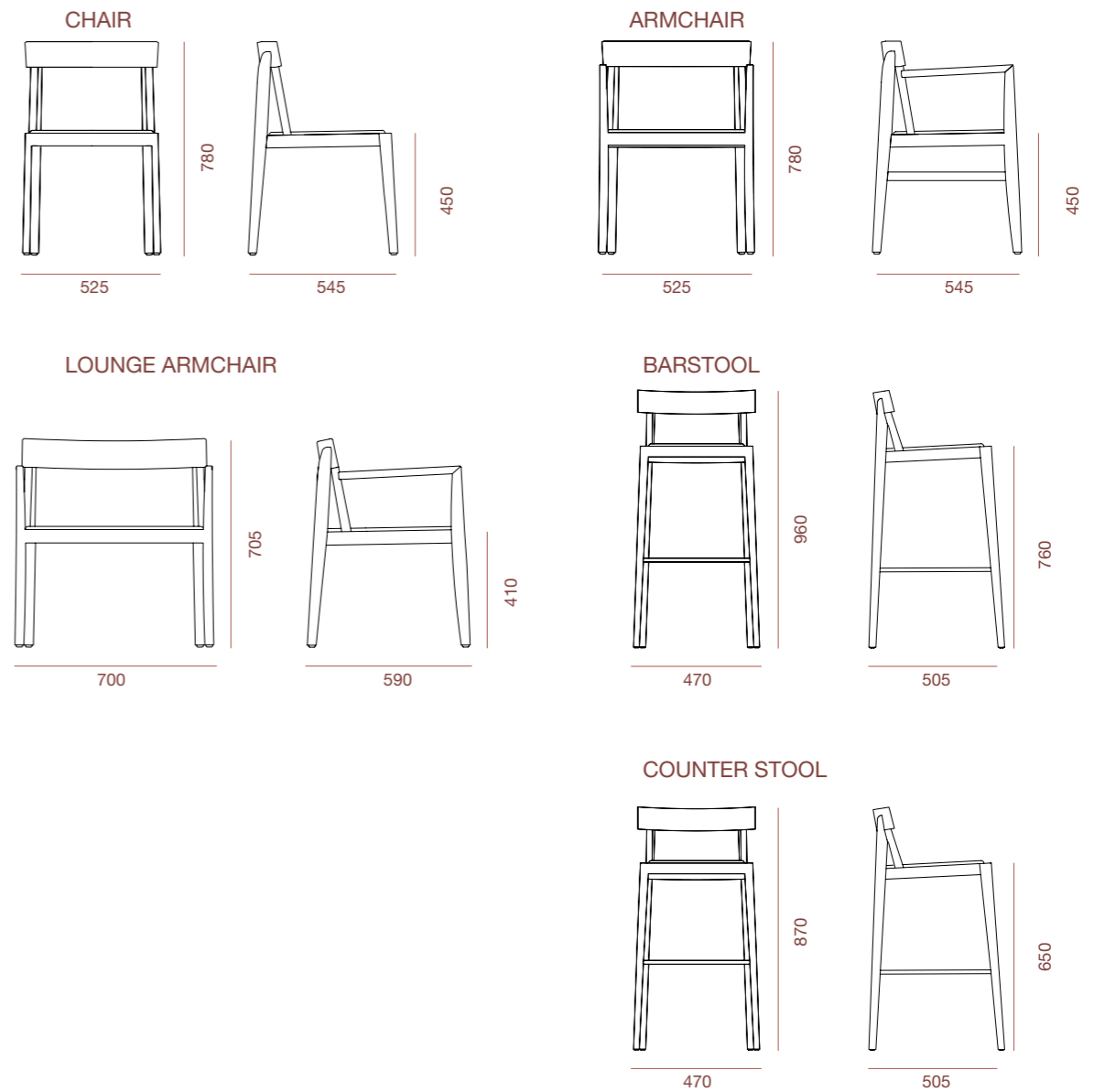
v Astras barstool
Oak natural
Vinyl Tokyo anthracite
Stainless steel



Astras



ASTRAS COLLECTION



MATERIAL
 Frame: Solid Oak / Solid Beech
 Seat: Fabric / Vinyl
 Footrest (barstool): Stainless steel

PATENT REGISTERED

Tribute

A considered homage to Northern European design, Tribute reflects the clarity and craftsmanship shaped by Scandinavian tradition.

Defined by its clean form and balanced proportions, it brings a sense of quiet refinement to contemporary spaces timeless, versatile, and effortlessly composed.

v **Tribute** chair
Oak natural
Fabric Babel ash

design Enrique Martí Associates



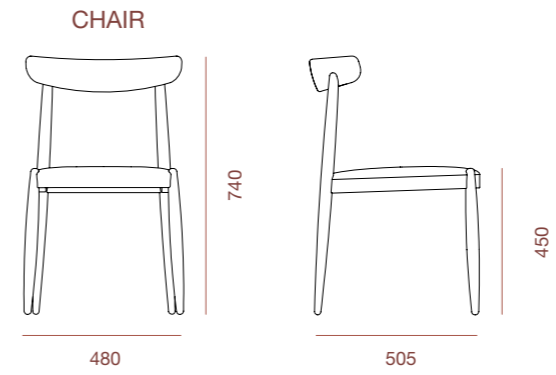
V **Tribute** chair
Oak natural
Fabric Babel ash

Barkas table
HPL natural oak
Cast iron / Mild steel black

Tribute



TRIBUTE COLLECTION



MATERIAL
Frame: Solid Oak
Seat: Fabric / Vinyl



Birdie

A playful expression of form, Birdie brings a sense of lightness to the everyday. Defined by its rounded backrest and distinctive double-splayed legs, it balances character with clarity. The gently curved plywood back offers comfort and support, while its thoughtful proportions create a chair that feels both inviting and composed. Available in beech or oak, with upholstered or veneered seat options, Birdie adapts effortlessly across spaces.

- v **Birdie chair**
Veneer oak natural
Fabric Babel black
- Ebony table**
HPL natural oak
Mild steel white



design Enrique Martí Associates

v **Birdie chair**
Veneer oak natural
Babel black

Ebony table
HPL natural oak
Mild steel silver

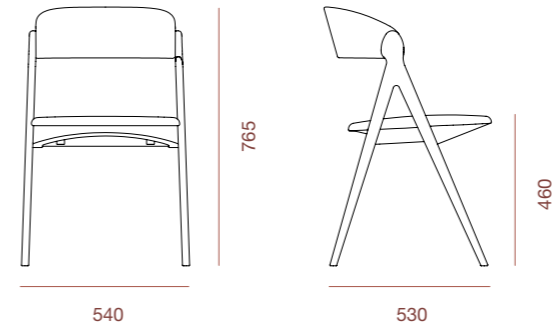


Birdie



BIRDIE COLLECTION

CHAIR



MATERIAL

Frame: Solid Oak / Solid Beech
Backrest: Oak Veneer / Beech Veneer
Seat: Fabric / Vinyl

Grado

A contemporary reinterpretation of a 1980s classic, Grado brings a sense of lightness and clarity to retro design. Defined by its clean, uncomplicated form, subtle detailing at the backrest adds a quiet distinction. Its seamless flow enhances the overall elegance balanced, refined, and easy to place across spaces. Stackable for added versatility, Grado is designed for both function and everyday ease.

v **Grado chair**
Veneer oak smoke

Victoria table
HPL walnut



design Enrique Martí Associates

a **Grado** barstool
Veneer oak natural
Stainless steel

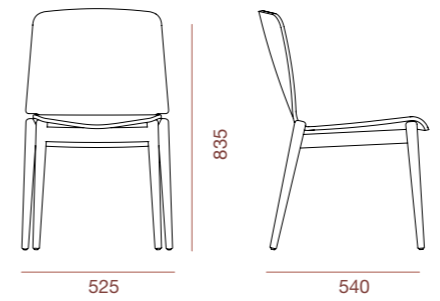


Grado

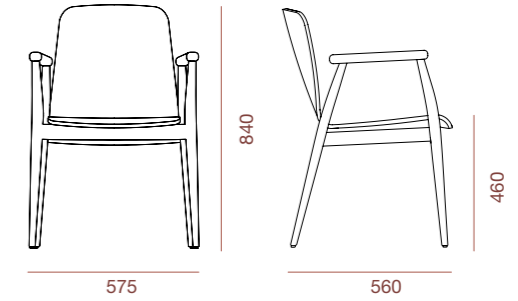


GRADO COLLECTION

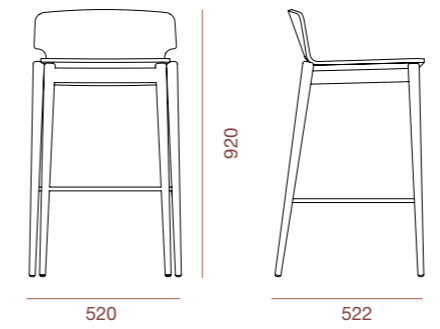
CHAIR



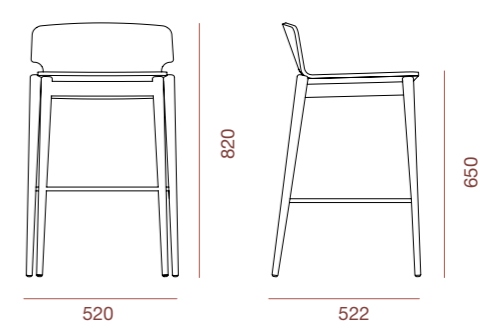
ARMCHAIR



BARSTOOL



COUNTER STOOL



MATERIAL

Shell: Ash Veneer / Beech Veneer
Legs: Solid Ash / Solid Beech
Footrest (barstool): Stainless Steel

Eli

Discreet and elegant, Eli is designed with versatility in mind. Offered in multiple sizes, it adapts seamlessly across hospitality and contract spaces.

Its clean form allows it to sit comfortably in a variety of interiors, while a solid ash or oak frame provides strength and stability. Upholstered seat and back enhance comfort, bringing together practicality and refined simplicity.

v **Eli chair**

Fabric Kenya orange and yellow
Oak natural

Mizo table

HPL natural white oak
Mild steel matt black



v **Eli chair**
Fabric Heritage pearl and avocet
Oak natural

Mizo table
HPL natural white oak
Mild steel black

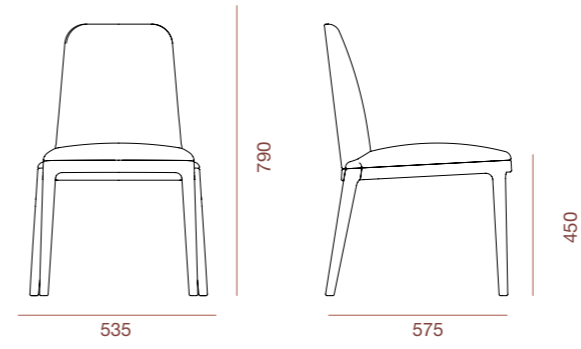


Eli



ELI COLLECTION

CHAIR



MATERIAL
Shell: Fabric
Legs: Solid Ash / Solid Oak

PATENT REGISTERED

120

A study in geometry, 120 is defined by clarity of form and modern restraint. Polypropylene and mild steel come together to create a chair that is both lightweight and durable.

Its distinctive character lies in the precise interplay of three 120° angles subtly expressed at the junction of the seat and legs bringing structure, balance, and quiet definition. Stackable and versatile, 120 is designed for contemporary spaces with ease.

a 120 chair
Polypropylene
crimson red

design Kian Design Studio

v 120 chair
Polypropylene nude and brown

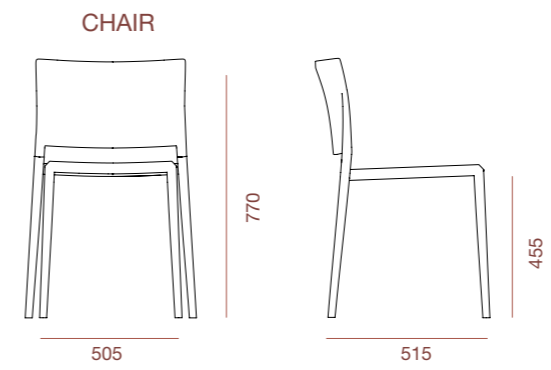
Mizo table
HPL white
Mild steel black

120 collection

120 collection

120

120 COLLECTION



MATERIAL
Shell: Polypropylene
Leg: Powder Coated Steel

PATENT REGISTERED



Louvre

Drawing from the American Midwest and the timeless simplicity of Shaker craftsmanship, Louvre reimagines the traditional wooden chair through modern plastic injection moulding. The result is a design that feels familiar, honest, and effortlessly modern made to be enjoyed across a variety of spaces.

- v **Louvre** chair
Polypropylene white sand, scarlet and onix



design Danny Fang

v Louvre chair
Polypropylene onyx

Kaleidos table
HPL black
Powder coated cast iron & steel



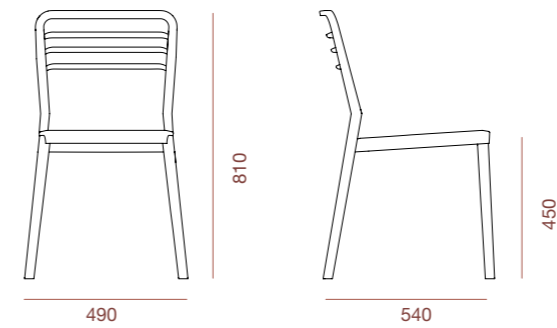
Louvre



louvre collection

LOUVRE COLLECTION

CHAIR



MATERIAL
Injection-moulded and fibreglass reinforced polypropylene

PATENT REGISTERED

Sponge

Simple and adaptable, Sponge is designed to fit effortlessly into a variety of spaces. Crafted from durable polypropylene, it offers long-lasting performance with ease of maintenance. Stackable for practicality and available in a range of colours, Sponge brings flexibility and quiet functionality to everyday environments.

✓ **Sponge chair**
Polypropylene slate grey



design Kian DesignStudio



- v **Sponge chair**
Polypropylene white
- Western table**
HPL natural white oak
Mild steel black

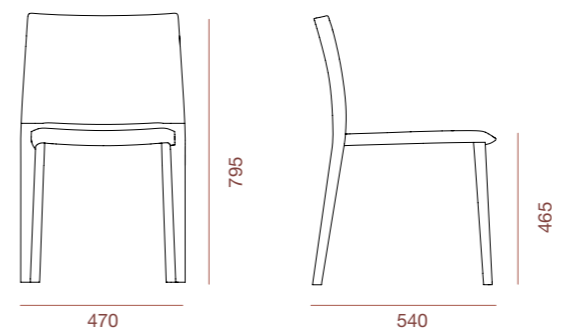


Sponge



SPONGE COLLECTION

CHAIR



MATERIAL

Injection-moulded and fibreglass reinforced polypropylene

PATENT REGISTERED



LOUNGE CHAIR

Lune _154
Album _148
Pinna _168
Gajah _174

Lune

Inspired by the soft elegance of a crescent moon, Lune brings together gentle form and modern comfort.

Its lightweight aluminium frame, paired with weather-resistant textylene, ensures durability with ease. A plush back cushion adds a layer of comfort, while integrated handling and a stackable design offer everyday practicality.

Designed for both indoor and outdoor settings, Lune balances refinement with versatility.

v **Lune** side chair
Textylene SL06
Aluminium textured white

Kaleidos table
Cast iron textured white



design Wen Qi



V **Lune** lounge chair
Textylene SL07
Aluminium textured moss

Barkas table
HPL white
Cast iron textured white



V **Lune** lounge chair
Textylene SL07
Aluminium textured moss

Barkas table
HPL white
Cast iron textured white



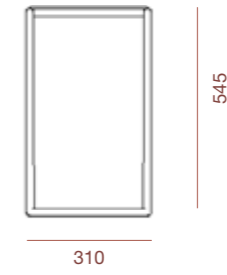


LUNE COLLECTION

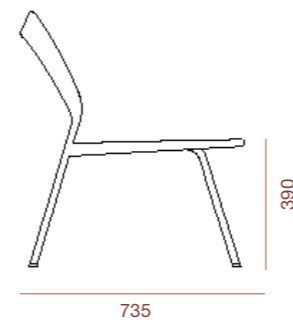
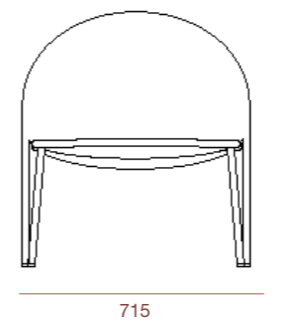
DINING CHAIR



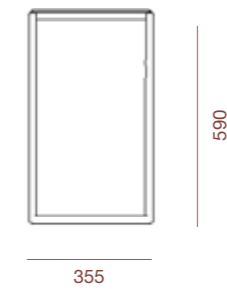
COFFEE TABLE - S



LOUNGE CHAIR



COFFEE TABLE - M



MATERIAL
Frame: Aluminium
Seat & Backrest: Textylene



Album

A contemporary reinterpretation of classic forms, the Album Collection brings a sense of refined cohesion to modern living spaces.

Defined by the interplay of materials and finishes, powder-coated mild steel frames highlight its clean lines and understated elegance.

Comprising a range of pieces from sofas and armchairs to tables, consoles, desks, and shelving Album is designed to create a seamless, composed environment.

- v **Album** lounge armchair
Vinyl Arizona forest
Stainless steel hairline gold
Mild steel black



design Jerry Low



v **Album** chair and armchair
Vinyl Arizona black
Mild steel black

Album table
Marble calacatta marble
Mild steel black





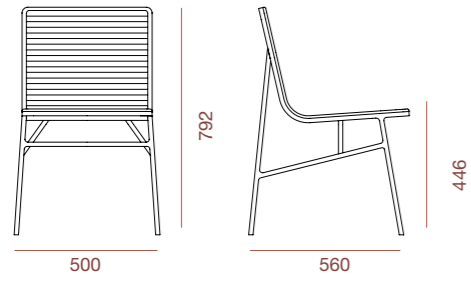
v **Album** stool
Vinyl Arizona forest
Mild steel black



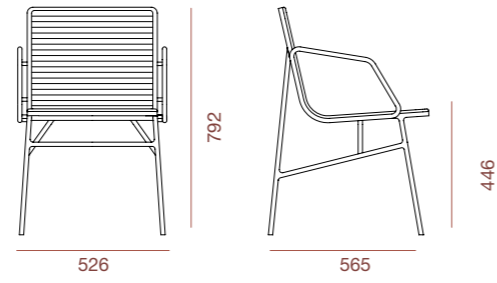
Album



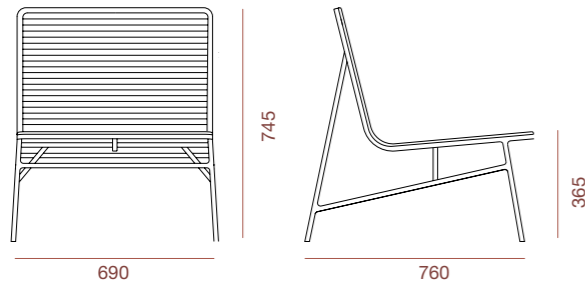
CHAIR



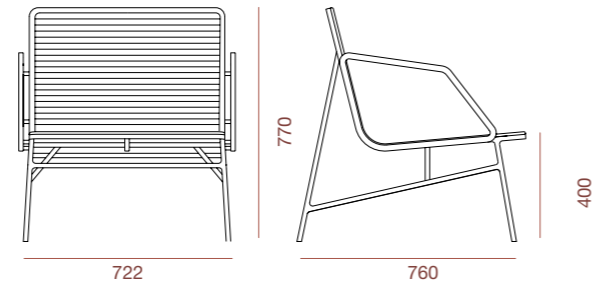
ARMCHAIR



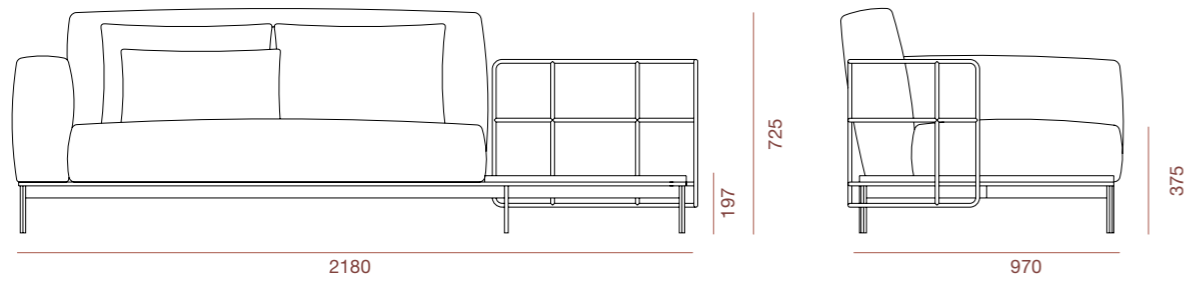
LOUNGE CHAIR



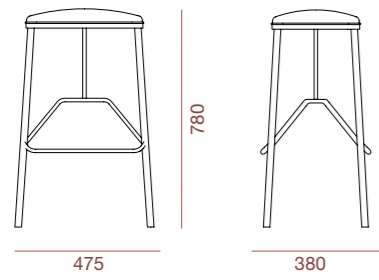
LOUNGE ARMCHAIR



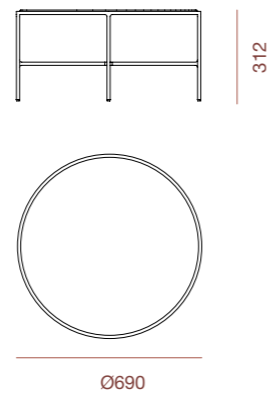
SOFA



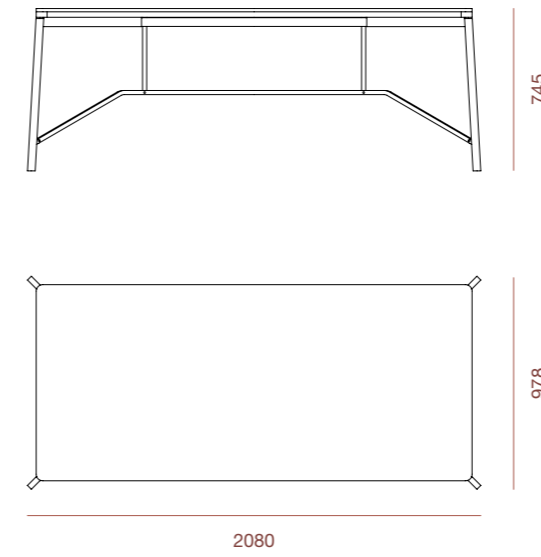
STOOL



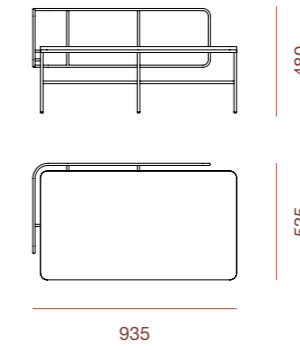
COFFEE TABLE



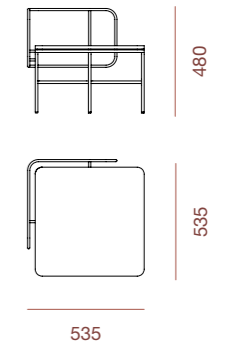
DINING TABLE



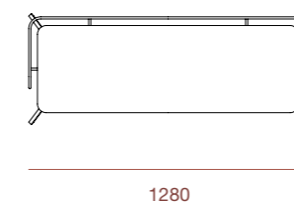
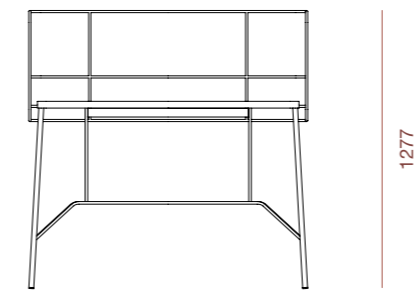
COFFEE TABLE



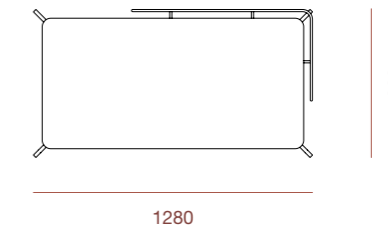
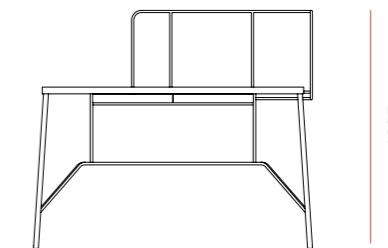
COFFEE TABLE



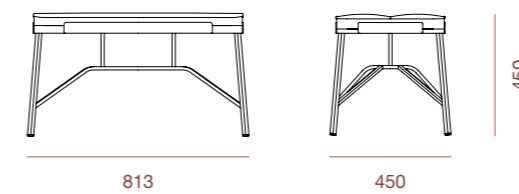
CONSOLE



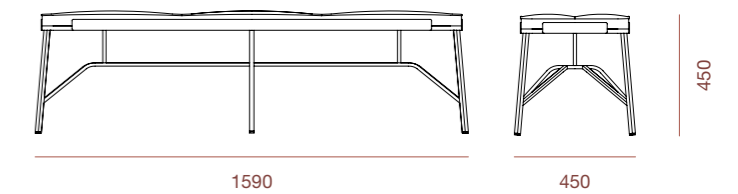
DESK



BENCH 2



BENCH



MATERIAL
Shell: Fabric / Vinyl / Marble
Legs: Powder Coated Steel

PATENT REGISTERED



Pinna

Rooted in Nordic simplicity, Pinna is defined by comfort and gentle refinement. Upholstered sides, backrest, and integrated cushioning create a sense of warmth and enclosure.

Its slender, tapered beech wood legs bring lightness to the form, balancing softness with structure. Available in both chair and lounge versions, Pinna adapts effortlessly from dining settings to meeting rooms and hospitality spaces.

A composition of comfort, clarity, and quiet elegance.

- v **Pinna** lounge chair
- Fabric Babel blue
- Oak natural



design Hans Thyge



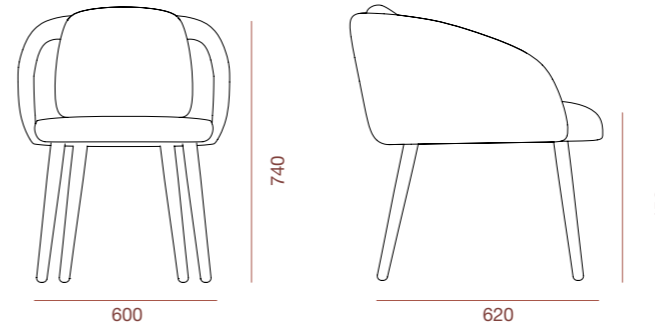
v Pinna armchair
Fabric Babel black
Oak natural

Pinna

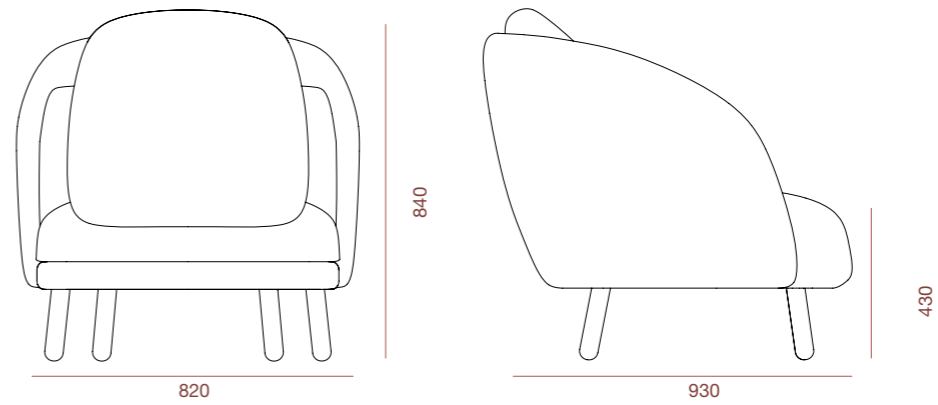


PINNA COLLECTION

ARMCHAIR



LOUNGE CHAIR



MATERIAL
Shell: Upholstered
Legs: Solid beech

Gajah

Generous in form and presence, Gajah is designed for comfort at its fullest. Its deep seat and wide backrest create an inviting silhouette, framed by sculpted sides that echo a sense of strength and character.

The fully assembled chair features a solid beech wood frame, while the lounge version is supported by a mild steel base offering versatility across settings.

A statement of comfort, grounded in form and quiet confidence.

v **Gajah** lounge chair
Fabric Babel beige
Mild steel black



design Hans Thyge



v **Gajah** armchair
Fabric Babel silver
Oak solid wood natural

Gajah lounge chair
Fabric kenya yellow and orange
Mild steel matt black

Quad rectangular centre table
HPL black slate
Mild steel black

Noon sofa 1 arm module + central module + chaise longue
HPL black slate

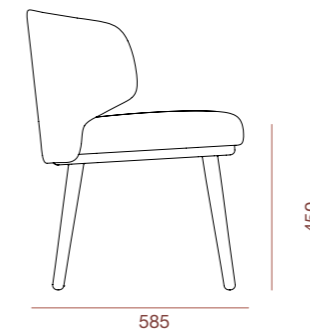


Gajah

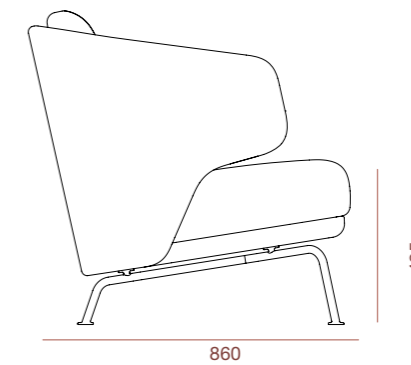
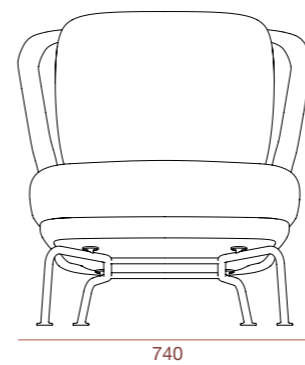


GAJAH COLLECTION

ARMCHAIR



LOUNGE



MATERIAL

Shell: Fabric

Legs: Powder coated steel leg (lounge) / Solid beech leg (chair)



SOFAS

Mosaico _182
Lai _190

Mosaico

Designed for versatility, Mosaico responds to the evolving needs of shared spaces. Its modular system allows for endless configurations bringing together sofas, back rests, tables, and textures in a seamless composition.

Defined by flexibility and visual harmony, Mosaico invites creative arrangements that adapt effortlessly across environments from hospitality settings to public and communal spaces.

A system shaped by possibility, designed with clarity and ease.

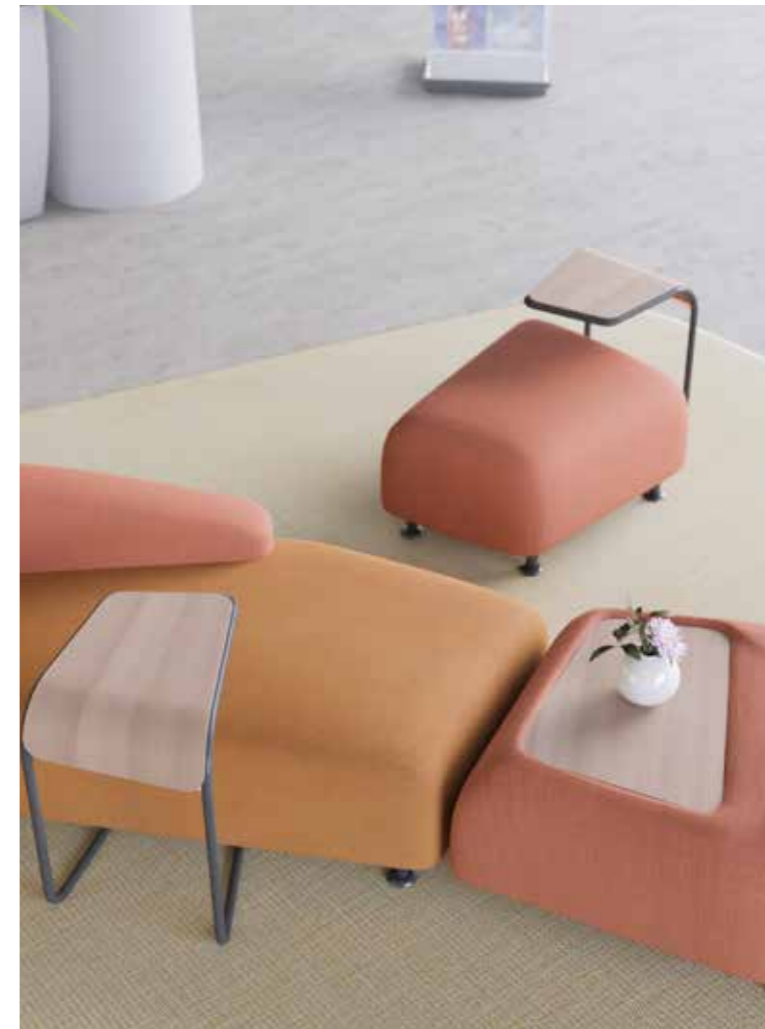
v Mosaico sofa
rPES Fabric
Veneer ash natural
Mild steel black

design Enrique Martí Associates

v Mosaico sofa
Fabric Babel blue and white
Veneer ash natural
Mild steel black



- v **Mosaico** sofa
Fabric Kenya yellow and orange
Veneer ash natural
Mild steel black
- Malena** armchair
Aluminium textured pink
- T-4** table
HPL calacatta marble
Aluminium white

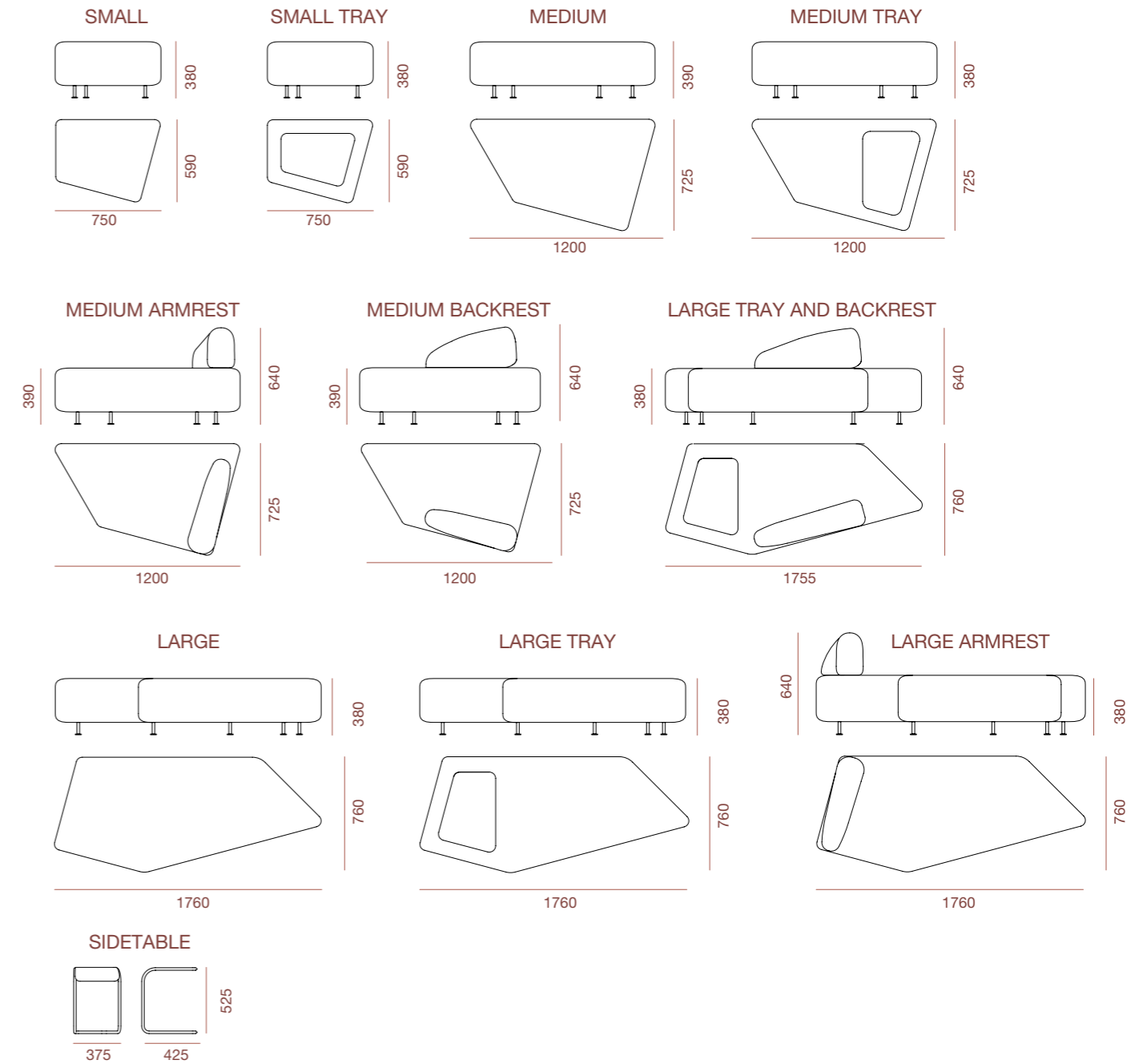


Mosaico



mosaico collection

MOSAICO COLLECTION



MATERIAL
 Shell: Fabric
 Legs: Powder coated steel

Lai

Designed for flexibility, Lai adapts effortlessly to changing needs. Backrests, seats, side tables, and headrests can be repositioned with ease allowing each configuration to feel intentional and composed.

As a fully upholstered modular lounge system, Lai offers endless possibilities, creating spaces that are both functional and refined.

A system shaped by movement, designed for contemporary living.

Lai 4-seater lounge
Fabric Babel salmon and red
Veneer ash natural

Zeat chair
Veneer oak natural
Mild steel black

Zeat upholstered armchair trestle with wheels
Fabric Babel water green
Mild steel black

Quad rectangular table
HPL calacatta marble
Mild steel black

design Enrique Martí Associates

v **Lai** 4-seater lounge
Fabric Babel water green and beige
Veneer ash natural

Cap stool
Polyethylene black

Kumi table
Aluminium white
HPL natural white oak

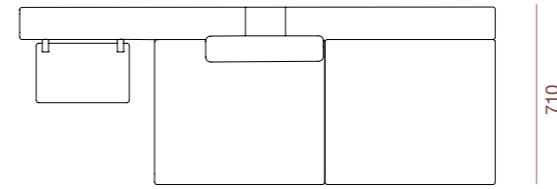
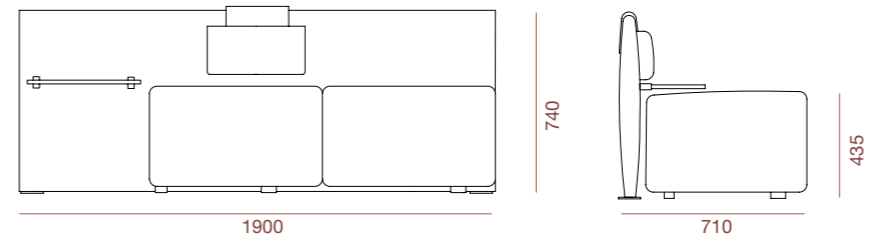


Lai

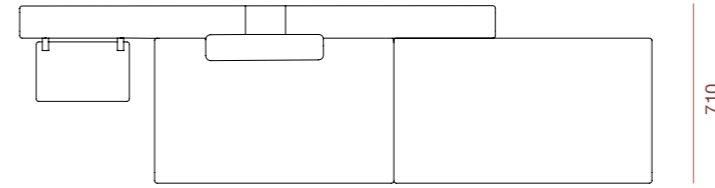
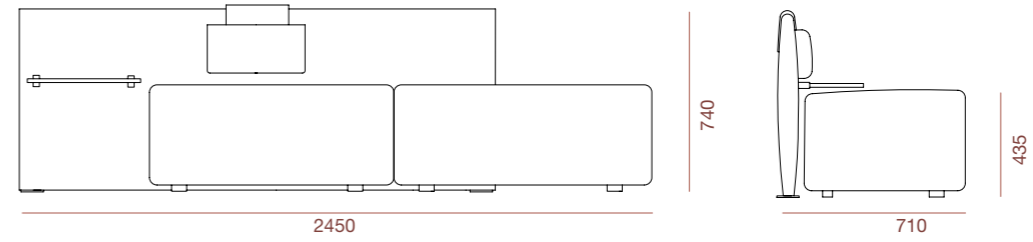


LAI COLLECTION

2-SEATER LOUNGE



4-SEATER LOUNGE



MATERIAL
Shell: Fabric
Beech veneer side table

PATENT REGISTERED



TABLES

Clan	_196
Ebony	_198
Knots	_208
Kanpai	_212
Mizo	_236
T-4	_238
Barkas	_240
Kaleidos	_242
Bonde	_244
Venus	_250
Daun	_258

Clan

Designed for today's evolving workspaces, Clan supports a fluid and collaborative way of working. Effortlessly transitioning between focused tasks and group interaction, its adaptable design brings flexibility to modern environments.

Options for fixed feet or castors allow for stability or mobility, while integrated features such as discreet cable management and charging maintain a clean, composed aesthetic.

Thoughtfully considered, Clan is delivered in a knock-down format, with components separated by material for easier assembly and recycling supporting a more sustainable approach to design.

V **Clan** round table

MDF moss
Solid ash natural

Sou chair trestle

PP in taupe
Polished aluminum



design Sakura Adachi

V **Clan** rectangle table

MDF blush
Solid ash natural

Sou trestle on castors

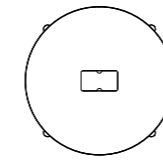
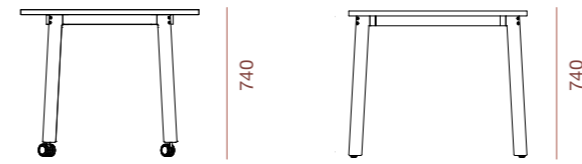
Cast aluminium white sand



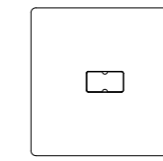
Clan

CLAN COLLECTION

ROUND / SQUARE TABLE



900, 1000, 1200

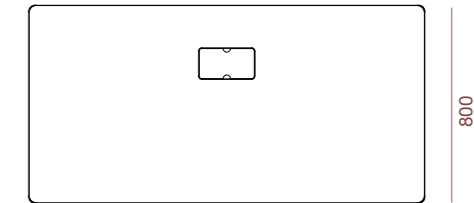


800, 1000

RECTANGLE TABLE

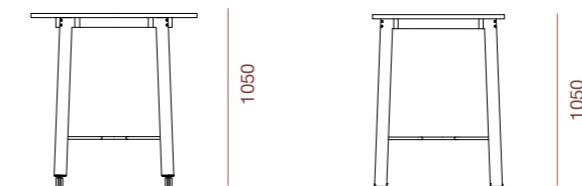


1600



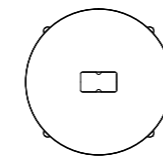
1600

ROUND / SQUARE BAR TABLE

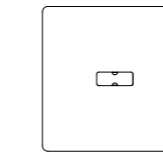


1050

1050



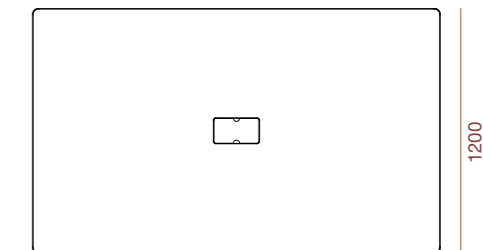
900, 1000, 1200



800, 1000

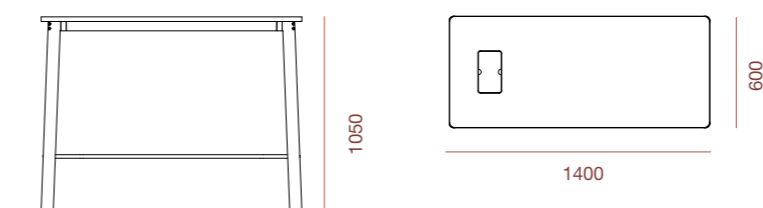


2000



2000

RECTANGLE BAR TABLE



1050

600

1400

1400



MATERIAL

Top: Powder coated MDF
Legs: Solid ash

Ebony

Minimal in form, Ebony is defined by clarity and precision. A slender tabletop is paired with subtly detailed legs, creating a composition that feels both light and considered.

Inspired by the act of folding, its structure brings strength and stability, while the placement of its legs maximises space and usability.

Available in a range of sizes, materials, and finishes, Ebony offers versatility with a refined, understated presence.

- v **Ebony table**
HPL natural oak
Mild steel black
- Bobby chair**
Veneer ash natural
Mild steel black

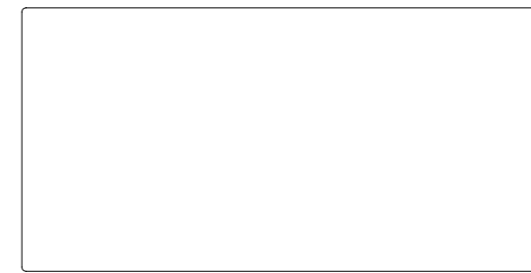
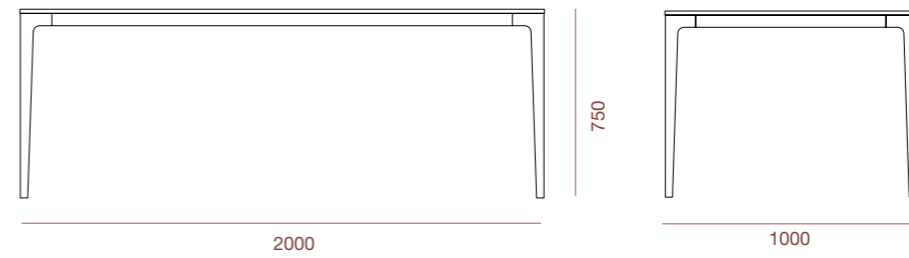


Ebony

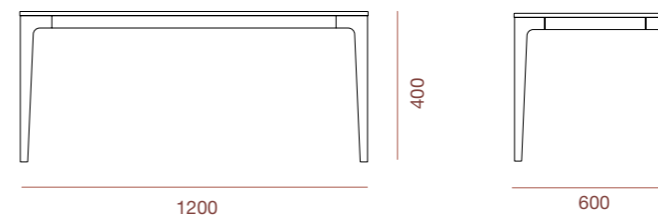


EBONY COLLECTION

TABLE



CENTRE TABLE



MATERIAL

Top: HPL, glass, veneer
Legs: Powder coated steel

Knots

Inspired by Bauhaus principles, Knots is defined by clarity of form and geometric balance. Its structure is anchored by prismatic elements that act as both visual and functional connections holding the composition together while concealing assembly details. The result is a clean, seamless expression of strength and precision.

Available in a range of finishes from industrial matt black steel to refined brass, Knots pairs effortlessly with a variety of tabletop options, offering versatility with a distinctive architectural presence.

v **Nordic** armchair
Veneer oak smoke
Fabric Babel safira

Knots table
HPL white
Mild steel black



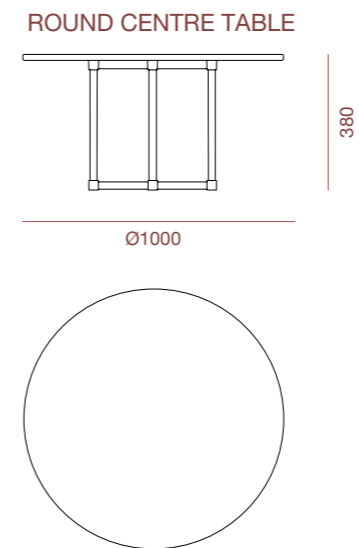
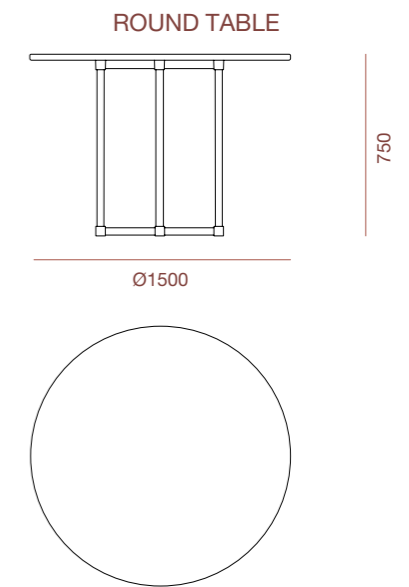
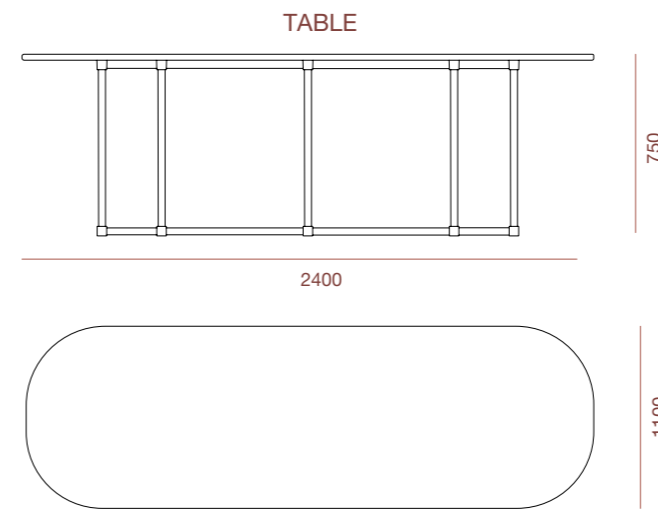
design Enriqué Martí Associates

Knots



knots collection

KNOTS COLLECTION



MATERIAL

Top: Glass, marble, veneer
Legs: Powder coated steel

Kanpai

A light and inviting collection, Kanpai is designed to bring people together.

With its open, welcoming form, it creates spaces that encourage connection where conversations flow with ease and moments are shared naturally.

Kanpai coffee table
Compact terrazzo black
Mild steel black

Quad coffee table
HPL Black Macqunia
Mild steel black

design Sakura Adachi



▼ **Kanpai oval dining table**

Compact walnut
Mild steel black

Rope chair and armchair

Fabric Heritage black
Mild steel black

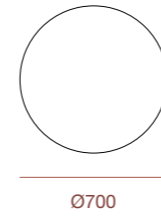
Kanpai



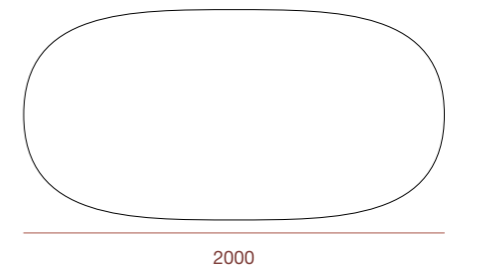
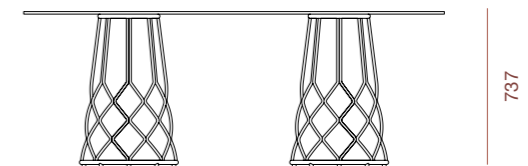
kanpai collection

KANPAI COLLECTION

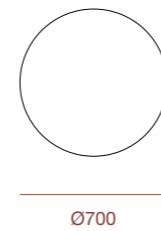
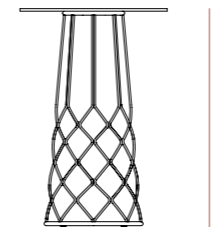
DINING TABLE



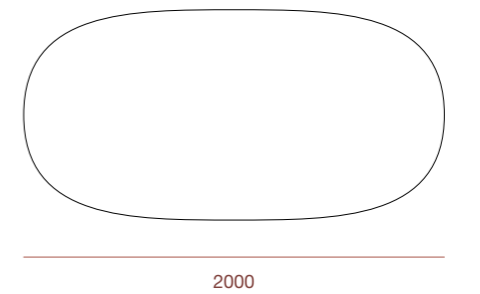
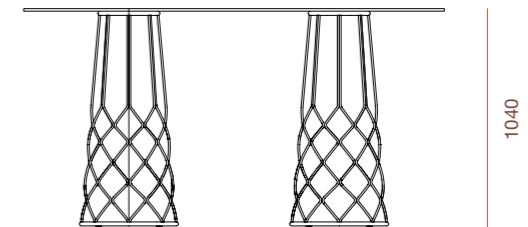
DINING TABLE



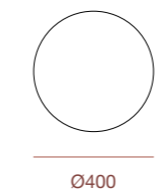
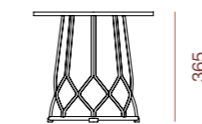
BAR TABLE



BAR TABLE



COFFEE TABLE



MATERIAL
Shell: Phenolic compact laminate
Legs: Powder Coated Steel

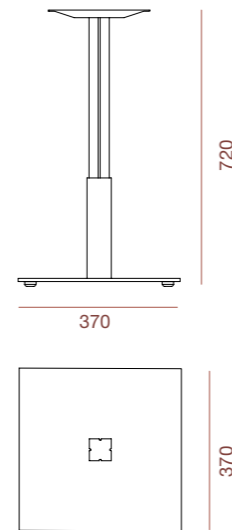
PATENT REGISTERED

Mizo

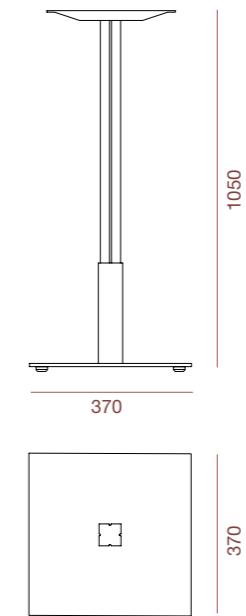


MIZO TABLE BASE

TABLE BASE



BAR TABLE BASE



MATERIAL
Powder coated steel

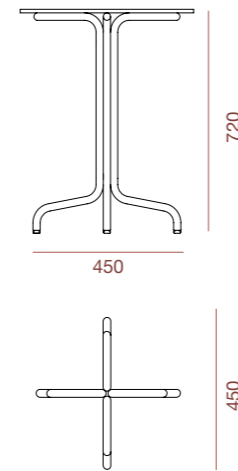
PATENT REGISTERED

T-4

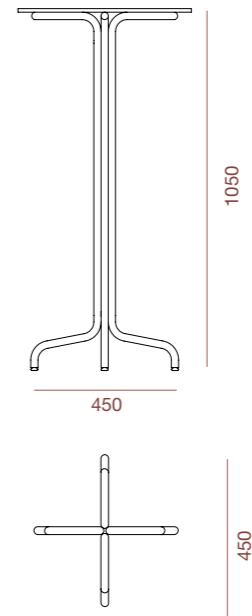


T-4 TABLE BASE

T-4 TABLE BASE



T-4 BAR TABLE BASE



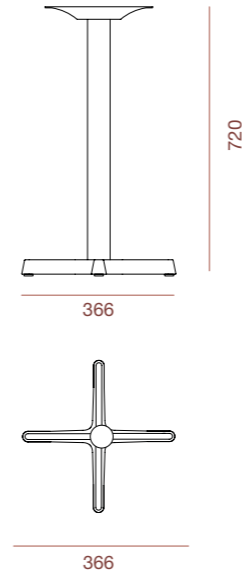
MATERIAL
Powder coated steel

Barkas



BARKAS TABLE BASE

SMALL TABLE BASE



SMALL BAR TABLE BASE

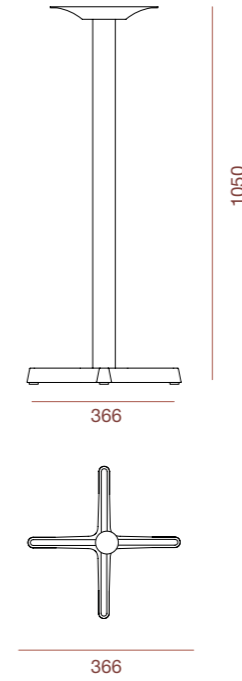
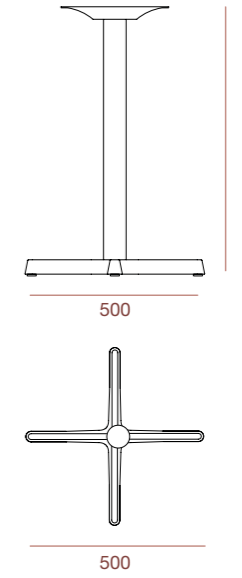
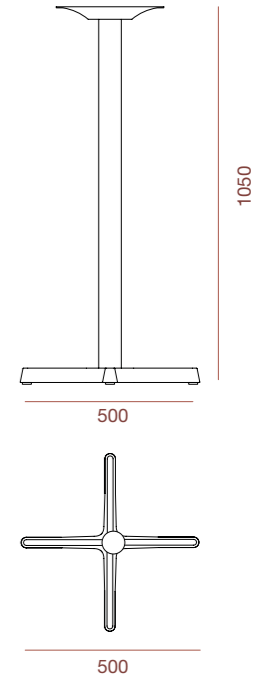


TABLE BASE



BAR TABLE BASE



MATERIAL

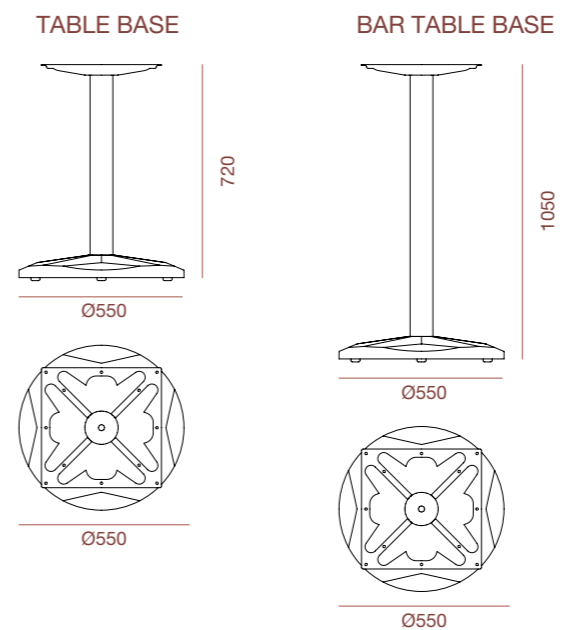
Powder coated cast iron base / Powder coated steel post and top plate

PATENT REGISTERED

Kaleidos



KALEIDOS TABLE BASE



MATERIAL

Base: Powder coated cast iron
Post & Top plate: Powder coated steel

Bonde

Bold yet composed, Bonde brings a sense of refined structure to dining and social spaces.

Defined by six angled metal supports, its base creates a sculptural form that balances strength with visual lightness. The result is a table that feels both stable and quietly distinctive.

Designed for practicality, Bonde can be flat-packed for ease of transport, combining efficiency with a considered, elegant presence.

v **Bonde table**
HPL Black and metallic edging
Mild steel black and stainless steel hairline gold

Bebol chair - bold
Fabric water blue
Stainless steel hairline gold



design.cyncl



v **Bonde table**
HPL Black and metallic edging
Mild steel black and stainless steel
hairline gold

Bebo chair - bold
Fabric grey
Mild steel black
Stainless steel hairline gold

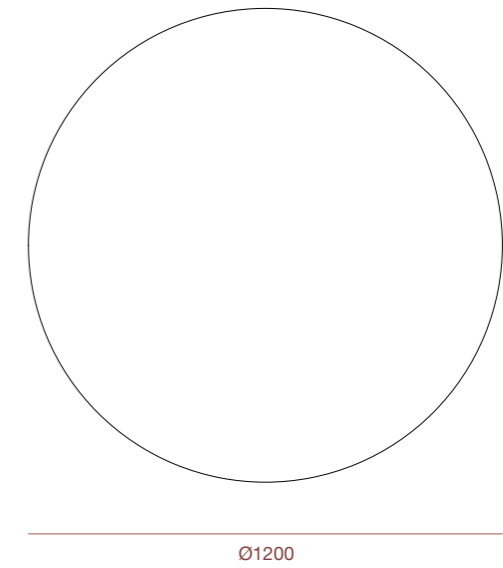
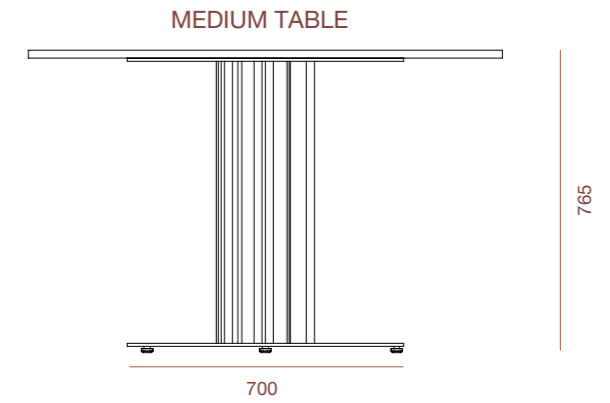
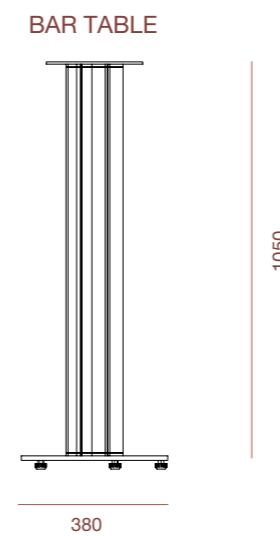
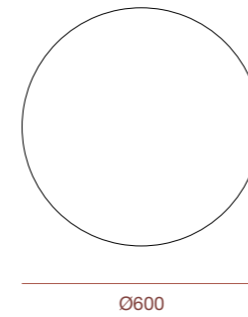
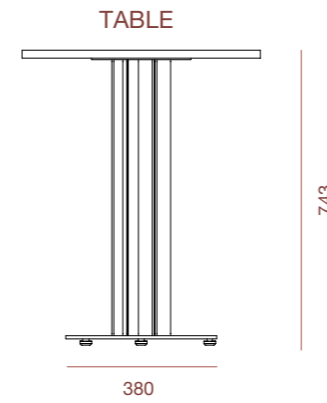


Bonde



bonde collection

BONDE COLLECTION



MATERIAL
Top: HPL / Metallic edge
Legs: S.S PVD Hairline gold / Powder Coated Steel



Venus

Distinct in form, Venus brings together sculptural expression and structural clarity.

Defined by its slender base and expansive tabletop, it creates a bold yet balanced presence, subtly expressive, with a sense of quiet strength.

A statement piece designed to anchor dining spaces with refined confidence.

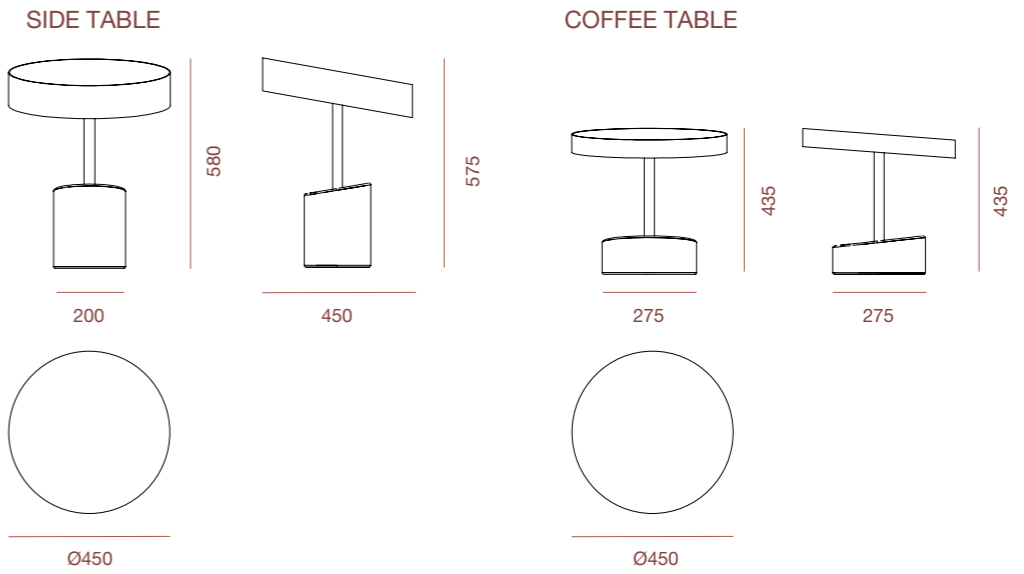
v **Venus** coffee table and side table
HPL black marqunia and stainless steel hairline gold
Mild steel black



design Cyndi

Venus

VENUS COLLECTION



MATERIAL
Top: HPL and stainless steel PVD hairline gold
Legs: Powder Coated Steel

Daun

Inspired by the gentle form of a leaf, Daun brings a sense of lightness and ease to everyday spaces.

Compact and easy to move, it adapts effortlessly across environments from social settings to workspaces. Pair two together to extend its function, or tuck it neatly away when not in use.

A thoughtful design that balances flexibility with quiet simplicity.

v Daun table
Mild steel black

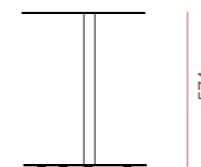
design Enrique Martí Associates

Daun

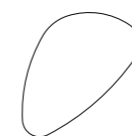


DAUN COLLECTION

TABLE

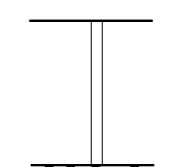


574



316

538



564



316

538

MATERIAL

Top: Powder coated steel
Legs: Powder coated steel



STOOLS

Evo _246
Rumble _252
Cap _258

Evo

A refined expression of versatility, Evo brings together function, mobility, and thoughtful design.

Crafted from LLDPE, it is lightweight and easy to move, with an integrated handle for effortless use. A weighted base can be added for stability, adapting to different environments with ease.

Minimal in form yet adaptable in purpose, Evo functions as a stool, side table, or accent piece designed for flexible, contemporary living.

v **Evo stool**
LLDPE sand, lime green



design Wen Qi

- ▼ **Evo stool**
LLDPE Lime green
- > **Mizo table**
HPL white
Mild steel textured white





✓ **Evo stool**
LLDPE cement and sand

Sou low-back barstool 4 legs on castors
Polypropylene white sand
Mild steel white sand

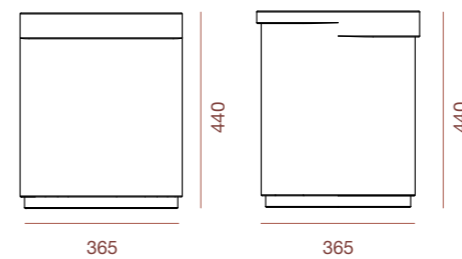
Lai sofa
Fabric Babel salmon and red

Evo



EVO COLLECTION

STOOL



MATERIAL
Linear low density polyethylene

Rumble

Playful in spirit, Rumble is designed for durability and ease.

Formed through rotational moulding, its robust construction supports heavy-duty indoor and outdoor use. Integrated handles and softened edges make it easy to move and safe for everyday interaction.

With its vibrant colours and rounded form, Rumble brings a sense of energy to spaces particularly suited for educational and outdoor environments.

v Rumble stool
LLDPE sand



design Attribute Design

v. **Rumble stool**
LLDPE white

Rumble bench
LLDPE black

basket collection

basket collection

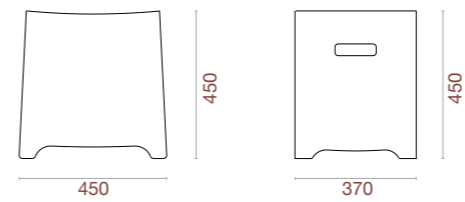


Rumble

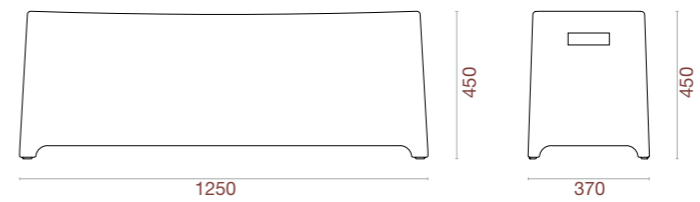


RUMBLE COLLECTION

STOOL



BENCH



MATERIAL
Linear Low Density Polyethylene

PATENT REGISTERED

Cap

Playful and versatile, Cap is designed to adapt with ease.

Used as a stool, it transforms when inverted into a sculptural form reminiscent of a flowerpot bringing flexibility to outdoor settings.

Crafted from LLDPE, it is lightweight, durable, and easy to move. Available in a range of colours, Cap offers a practical yet expressive solution for dynamic environments and events.

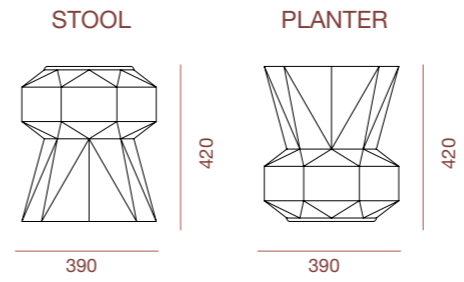
v Cap stool
LLDPE black

design Enrique Martí Associates

Cap



CAP COLLECTION



MATERIAL
Linear low density polyethylene



ACCESSORIES

Ad-lib _258
Spiga _268

Ad-lib

More than storage, Ad-lib is a system designed to adapt.

Created as a multifunctional companion, it moves fluidly through daily use transforming into a planter, magazine rack, bookcase, coffee station, or even casual seating.

Offered in varying heights and configurable in linear arrangements, Ad-lib brings rhythm and flexibility to open spaces supporting both quiet moments and spontaneous interaction.

A thoughtful balance of function and form, designed for spaces that evolve.

- v Ad-lib high planter
mild steel textured white sand
- Ad-lib planter
mild steel textured white sand
- Ad-lib 2 planters
mild steel textured white sand



design Sakura Aachi

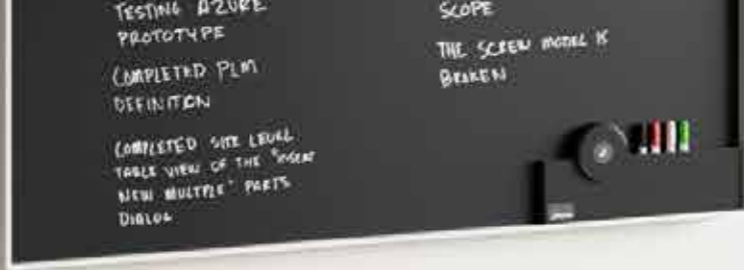
v **Ad-lib** 3 sided shelf + shelf
mild steel sand

Ad-lib 3 sided high shelf
mild steel sand

Ad-lib plant pot + 3 sided shelf
mild steel sand

v **Ad-lib** high planter
mild steel textured black

Ad-lib flower pot + 3sided shelf
mild steel textured white pink

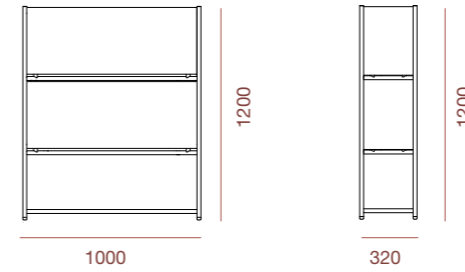


Ad-lib

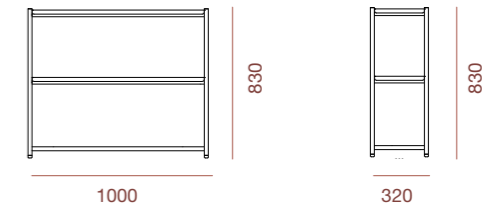
AD-LIB COLLECTION



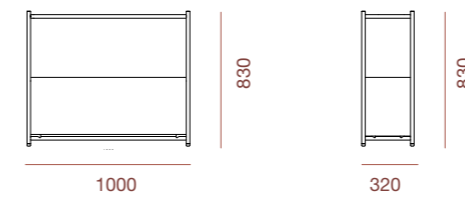
2 3SIDED HIGH SHELVES



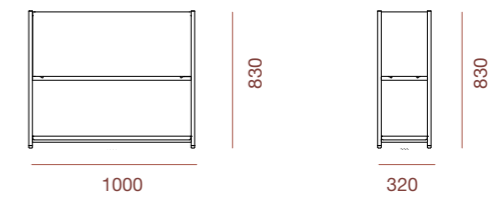
2 HIGH SHELVES



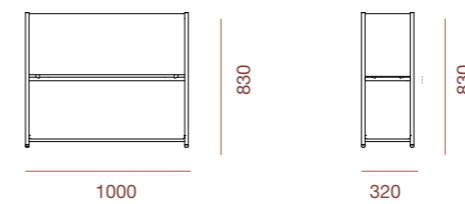
MAGAZINE RACK + 3 SIDED SHELF



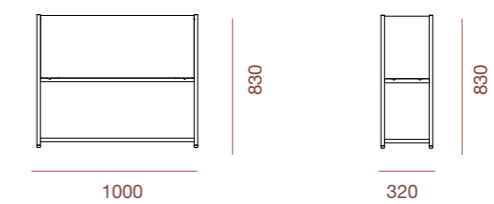
HIGH PLANTER + SHELF



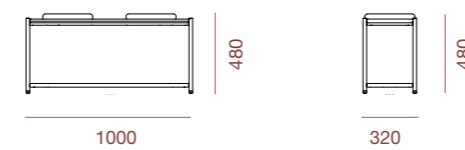
3 SIDED SHELF + SHELF



HIGH PLANTER



BENCH



MATERIAL
Powder coated mild steel

PATENT REGISTERED



Spiga

Inspired by the form of ears of wheat, it is crafted from a single, continuous bent rod that rises to form a branching crown of elegant, angled hooks.

The dark, monolithic frame offers multiple points for organization while maintaining a light, graceful silhouette.

Supported by a simple, circular base, Spiga is well suited for modern entryways, refined dressing areas, and curated workspaces.

v **Spiga**
mild steel textured black

design Sakura Adachi



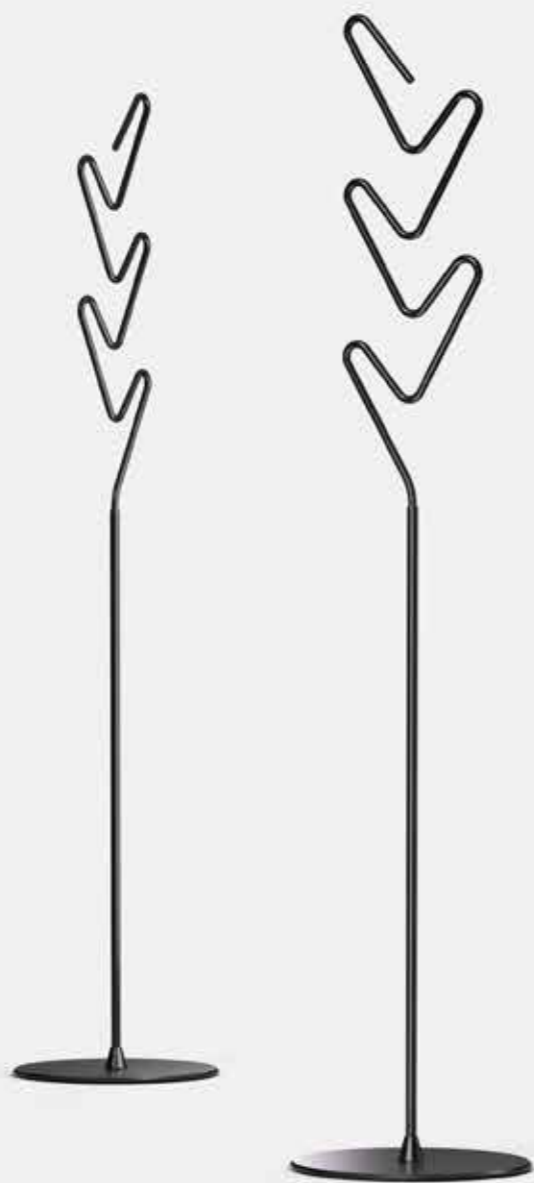
> **Spiga**
mild steel textured black

v **Clan** round table
MDF sage
Solid ash natural

Sou armchair sled
polypropylene onyx
mild steel textured black

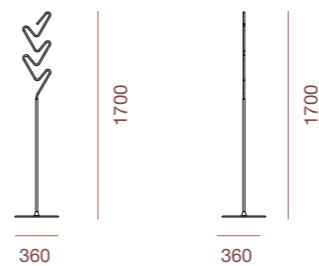


Spiga



SPIGA COLLECTION

CLOTH HANGER



MATERIAL
Powder coated mild steel

		CHAIR	ARMCHAIR	LOUNGE CHAIR	LOUNGE ARMCHAIR	BAR STOOL	COUNTER STOOL	STOOL	LOW STOOL	CAFE CHAIR	STACKABLE CHAIR	BENCH	SOFA	TABLE	TABLE BASE	OCCASIONAL TABLE	OTHER
		h	A	h	A	h	h	h	h	h	h	A	A	A	A	A	h
SOU	18	•	•			•	•		•		•						
OVNI	32	•	•			•	•				•						
ODEON	38	•	•			•	•			•	•						
ZEAT	44	•	•			•	•				•						•
BOBBY	50	•				•											
ROPE	58	•	•	•	•	•					•	•					
BEBO	66		•														
SAHO	74	•				•	•										
DANA	88		•														
ASTRAS	94	•	•		•	•											
TRIBUTE	104	•															
BIRDIE	110		•														
GRADO	116	•	•			•					•						
ELI	122	•									•						
120	128	•									•						
LOUVRE	134	•									•						
SPONGE	140	•															
LUNE	148	•		•												•	
ALBUM	156	•	•	•	•	•	•	•	•	•	•	•	•	•	•	•	•
PINNA	166		•		•												
GAJAH	172		•		•												
MOSAICO	180												•				•
LAI	188												•				•
CLAN	196													•			
EBONY	202													•		•	
KNOTS	206													•		•	

		CHAIR	ARMCHAIR	LOUNGE CHAIR	LOUNGE ARMCHAIR	BAR STOOL	COUNTER STOOL	STOOL	LOW STOOL	CAFE CHAIR	STACKABLE CHAIR	BENCH	SOFA	TABLE	TABLE BASE	OCCASIONAL TABLE	OTHER
		h	A	h	A	h	h	h	h	h	h	A	A	A	A	A	h
KANPAI	210													•			
MIZO	216														•		
T-4	218														•		
BARKAS	220														•		
KALEIDOS	222														•		
BONDE	224														•		
VENUS	230														•		
DAUN	234																•
EVO	240								•								•
RUMBLE	248								•								
CAP	254								•								•
AD-LIB	260																•
SPIGA	268																•

MATERIALS & SWATCHES

TIMBER & VENEER



Standard Colours



Matt Black



Mocha



Cigar



Classic



Light

MATERIALS & SWATCHES

HPL



Standard Colours



Calacatta



Tinteed Paper Terrazzo



Reclaimed Denim Fiber



Natural Recycled Kraft



Black Oak



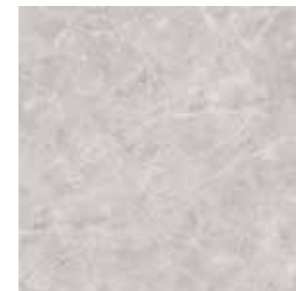
Dark Walnut



Natural Oak



Blanco Macael



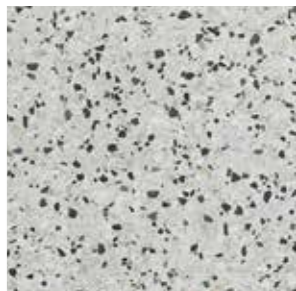
Light Marmi



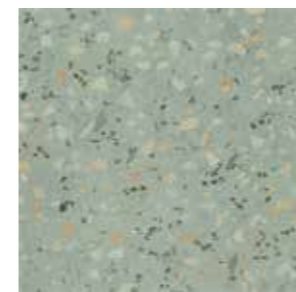
Dark Marmi



Black Marquina



Terrazzo White



Terrazzo Blue



Terrazzo Black

MATERIALS & SWATCHES

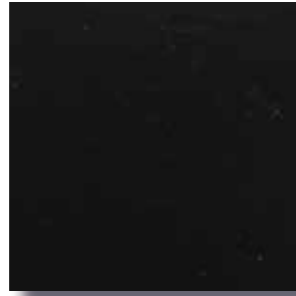


METAL

Standard Colours



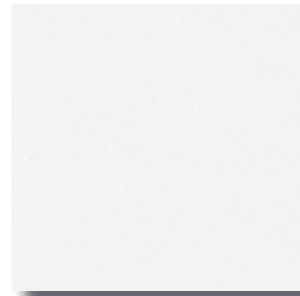
Textured Black
M-2



Black
M-1



Brass
M-26



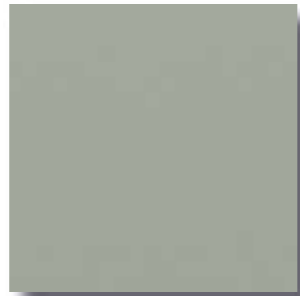
Textured White
M-4A



Textured Grey
M-7



Textured Brown
M-8



Sand
M-20



Silver
M-9



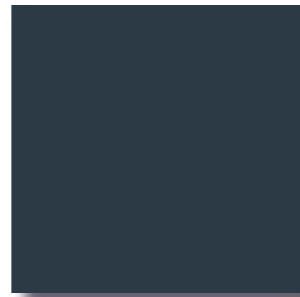
Textured Brick
Red
M-17



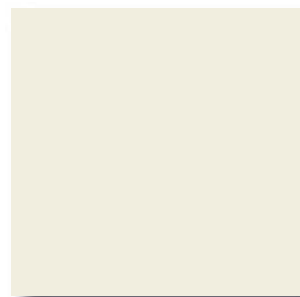
Textured Pink
M-28



Textured Green
M30



Space
M31



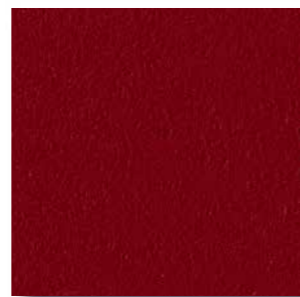
Pure White
MG-1



Textured Taupe
MT-2



Textured Cool Grey
MT1



Textured Brown Red
M35

MATERIALS & SWATCHES

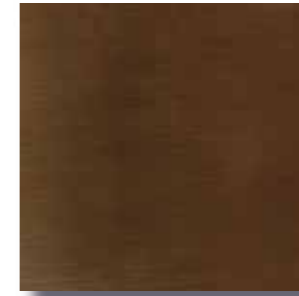


METAL

Standard Colours



Hairline Gold
M-23



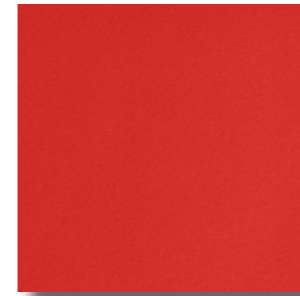
Hairline Bronze
M-24



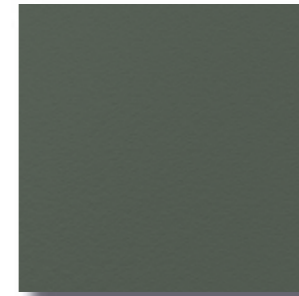
Zinc Galvanized
Thermal Heat Transfer



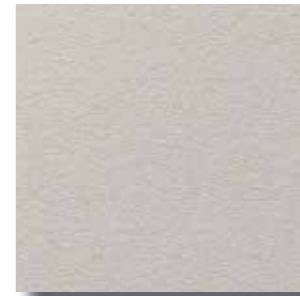
Textured Dahlia Yellow
M-39



Traffic Red
M-46



Textured Moss
M-32



Textured White Sand
M-33



Textured Reseda Green
M-37

MATERIALS & SWATCHES

GRACE



Standard Colours



Composition : 70% rPES 30% PES
 est Martindale : EN ISO 12947-1:2007 60000-70000
 Abrasion resistance : EN ISO12947-2:2017 60000-70000
 Pilling resistance : EN ISO 12945-2:2021 2000cycles 4
 Colour fastness to light : EN ISO 105 B02:2014-11 4-5
 Rubbing solvents : EN ISO 105-X12:2016 4-5
 Rubbing fastness in humid state : EN ISO 105-X12:2016 4-5

Ignitability: EN1021 -1 BS5852: Part 1 :1979, Ignition source 0 (Cigarette) CAL TB 117

Fire Protection: BS 5852: Part 1 :1979, Ignition source 1. EN1021 - 2 (Match)



MATERIALS & SWATCHES

AULLA



Standard Colours



Composition : 100% rPES
 est Martindale : EN ISO 12947-1:2007 25000-30000
 Abrasion resistance : EN ISO12947-2:2017
 Pilling resistance : EN ISO 12945-2:2021 2000cycles 4-5
 Colour fastness to light : EN ISO 105 B02:2014-11 4-5
 Rubbing solvents : EN ISO 105-X12:2016 4-5
 Rubbing fastness in humid state : EN ISO 105-X12:2016 4-5

Ignitability: EN1021 -1 BS5852: Part 1 :1979, Ignition source 0 (Cigarette) CAL TB 117

Fire Protection: BS 5852: Part 1 :1979, Ignition source 1. EN1021 - 2 (Match)



MATERIALS & SWATCHES

STELAR



Standard Colours



Composition : 91% rPES 9% PES
 est Martindale : EN ISO 12947-1:2007
 25000-30000
 Abrasion
 resistance : EN ISO12947-2:2017
 25000-30000
 Pilling
 resistance : EN ISO 12945-2:2021
 2000cycles 4
 Colour
 fastness to light : EN ISO 105
 B02:2014-114
 Rubbing
 solvents : EN ISO 105-X12:2016 4-5

Ignitability: EN1021 -1 BS5852: Part 1
 :1979, Ignition source 0 (Cigarette) CAL TB 117

Fire Protection: BS 5852: Part 1
 :1979, Ignition source 1. EN1021 - 2 (Match)

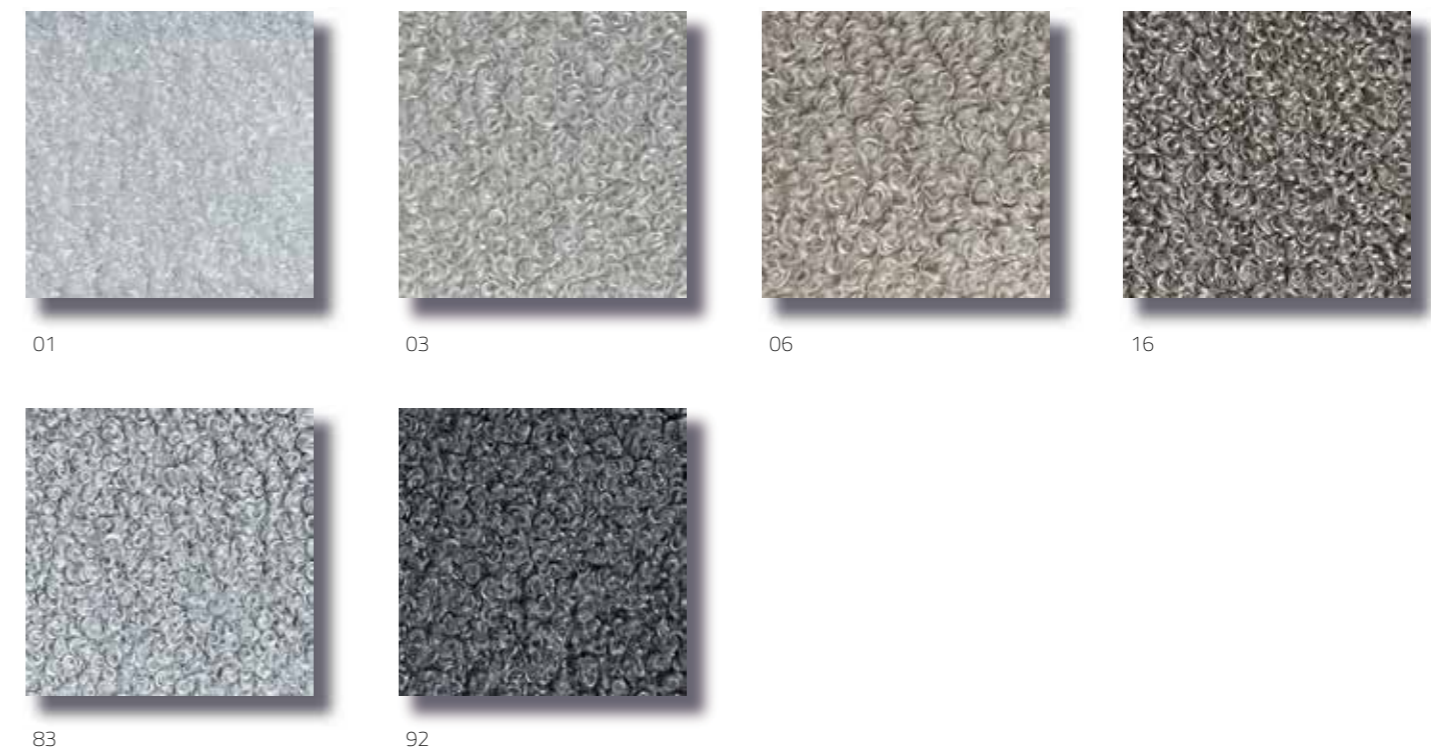


MATERIALS & SWATCHES

NOW OR NEVER



Standard Colours



Composition : 100% rPES
 est Martindale : EN ISO 12947-1:2007
 90 000 -> 100 000
 Abrasion
 resistance : EN ISO12947-2:2017
 90 000 -> 100 000
 Pilling
 resistance : EN ISO 12945-2:2021
 2000cycles 3-4
 Colour
 fastness to light : EN ISO 105
 B02:2014-115
 Rubbing
 solvents : EN ISO 105-X12:2016 4-5

Ignitability: EN1021 -1 BS5852: Part 1
 :1979, Ignition source 0 (Cigarette) CAL TB 117

Fire Protection: BS 5852: Part 1
 :1979, Ignition source 1. EN1021 - 2 (Match)



MATERIALS & SWATCHES

LINEN GRACE



Standard Colours



Composition : 58% Recycled Polyester + 34% Polyester + 8% Linen

Tensile strength : EN ISO 13934-1
Wrap: 1900N Weft: 1600N

Abrasion resistance : EN ISO12947-1,2
>75.000

Fire proof norms : BS 5852: Part 1 - Cigarette test pass
:EN 1021 - Cigarette test pass
:CA tech. bull. 117:2013/ NFPA 260- Cigarette test pass

Pilling : EN ISO 12945-2
3-4

Colour fastness to rubbing : EN ISO 105-X12
4-5

Seam Slippage Resistance : EN ISO 13936-2
Wrap: 3,0mm Weft: 3,0mm

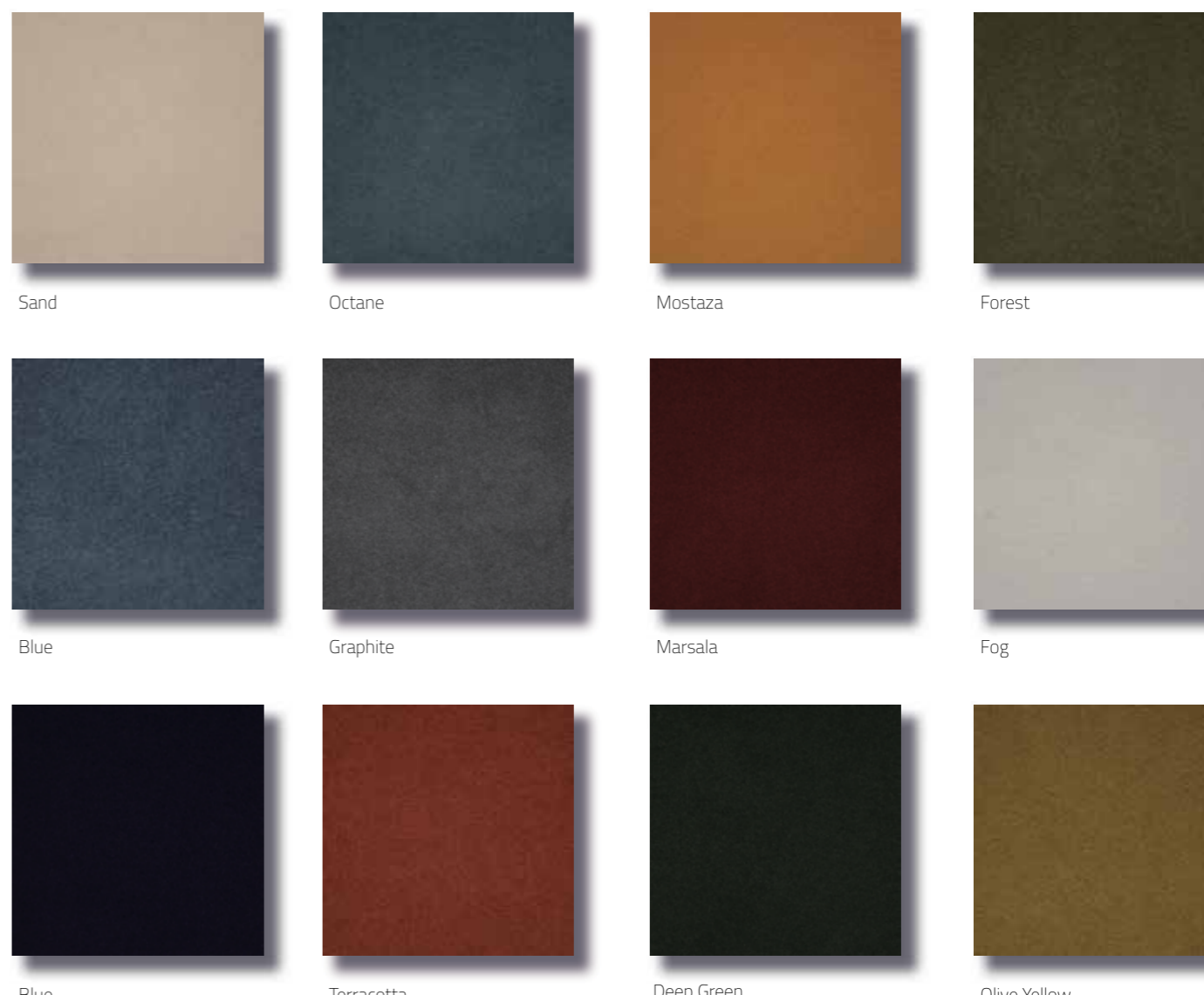
Color fastness to artificial light : EN ISO 105-B02
5

MATERIALS & SWATCHES

CASINO



Standard Colours



Composition: 100% Polyester

Flammability: BS 5852 Part I - Cigarette
EN 1021-1 Cigarette Test
CA Tech.Bull.117:2013
NFPA 260-Cig.Test

Abrasion Test: EN ISO12947-1,2 > 100,000

Pilling: EN ISO 12945-2 Class 4-5

Color fasten to Rubbing: EN IS105-X12
(Dry:5 , Wet:4-5)

Color fasten to Light: EN ISO 105 -B02 Class 4-5



MATERIALS & SWATCHES



KENYA

Standard Colours



Blue



Truffle



Khaki



Red



Ash



Black



Forest



Purple



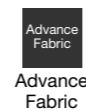
Orange



Taupe

Composition: 100% Polyester
 Flammability: BS 5852 Part I - Cigarette
 EN 1021-1 Cigarette Test
 CA Tech.Bull.117:2013
 NFPA 260-Cig.Test

Abrasion Test: EN ISO12947-1,2 > 100,000
 Pilling: EN ISO 12945-2 Class 4
 Color fasten to Rubbing: EN IS105-X12
 (Dry:4-5 , Wet:4)
 Color fasten to Light: EN ISO 105 -B02 Class 4-5



Respects the Environment

MATERIALS & SWATCHES



BROOKLYN

Standard Colours



Water Green



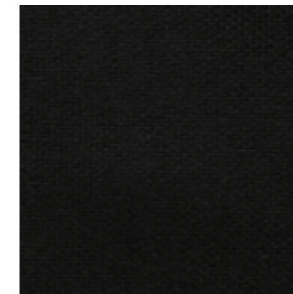
Tabac



Mostaza



Bottle



Black



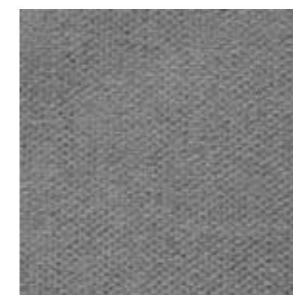
Beige



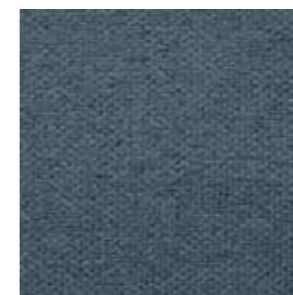
Truffle



Ocean



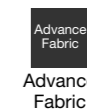
Cement



Jeans

Composition: 94% Polyester 6% Nylon
 Flammability: BS 5852 Part I - Cigarette
 EN 1021-1 Cigarette Test
 CA Tech.Bull.117:2013
 NFPA 260-Cig.Test

Abrasion Test: EN ISO12947-1,2 > 50,000
 Pilling: EN ISO 12945-2 Class 4-5
 Color fasten to Rubbing: EN IS105-X12
 (Dry:4-5 , Wet:3)
 Color fasten to Light: EN ISO 105 -B02 Class 3-4



Respects the Environment

MATERIALS & SWATCHES



HERITAGE

Standard Colours



Ebony



Ocean



Orange



Pearl



Terracotta



Truffle



Yellow



Avocat



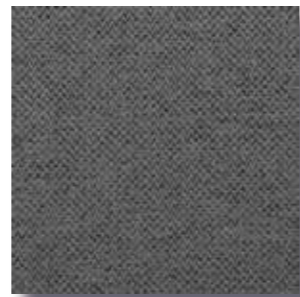
Black



Cement



Emerald



Mouse

Composition: 85% Polyester 15% Nylon

Flammability: BS 5852 Part I - Cigarette

EN 1021-1 Cigarette Test

CA Tech.Bull.117:2013

NFPA 260-Cig.Test

Abrasion Test: EN ISO12947-1,2 > 90,000

Pilling: EN ISO 12945-2 Class 4

Color fasten to Rubbing: EN IS105-X12

(Dry:5 , Wet:4-5)

Color fasten to Light: EN ISO 105 -B02 Class 5



Advance Fabric



Anti-Stain



Fire Proof Norms



Pet Friendly



Respects the Environment

MATERIALS & SWATCHES

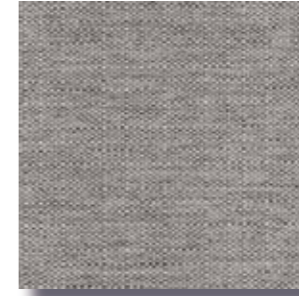


BABEL

Standard Colours



Ash



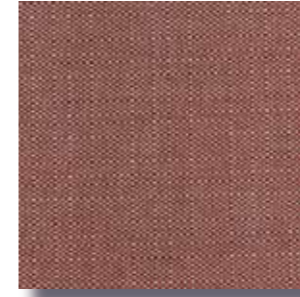
Silver



Black



Terra



Red



Safira



Salmon



Blue



Yellow



Water Green



Mouse



Taupe

Composition: 100% Polyester

Flammability: BS 5852 Part I - Cigarette

EN 1021-1 Cigarette Test

CA Tech.Bull.117:2013

NFPA 260-Cig.Test

Abrasion Test: EN ISO12947-1,2 > 90,000

Pilling: EN ISO 12945-2 Class 3-4

Color fasten to Rubbing: EN IS105-X12

(Dry:5 , Wet:4-5)

Color fasten to Light: EN ISO 105 -B02 Class 5



Advance Fabric



Anti-Stain



Fire Proof Norms



Pet Friendly



Respects the Environment



REACH Compliant



Breathable



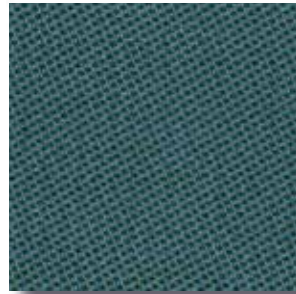
OEKO-TEX[®] CONFIDENCE IN TEXTILES STANDARD 100

MATERIALS & SWATCHES

ST.TROPEZ



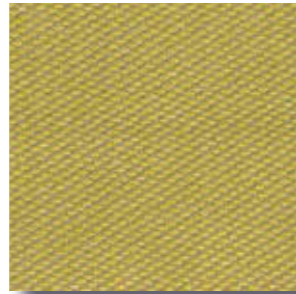
Standard Colours



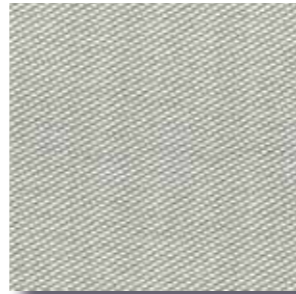
Aegean



Cayenne



Citron



Dove



Taupe

Composition: 100% Olefin

Flammability: EN 1021-1 Cigarette Test

CA Tech.Bull.117:2013

Abrasion Test: EN ISO 12947-2 >15,000 Cycles

ASTM D4157 >15,000 Cycles

ASTM D4966 >15,000Rubs

Ultraviolet protection factor: AS/NZ4399SPF50+

Color fasten to Light: BS EN ISO 105-B02B04,7-8

AATCC 16E, 3-4 at 1,200 hrs

Color fasten to Sea water: EN ISO 105-E02 , 4-5

Color fasten to Chlorine water: EN ISO 105-E03 , 4-5



Fire Proof Norms



Respects the Environment



Durability Performance



UV and FADE Resistance

MATERIALS & SWATCHES

CANVAS



Standard Colours



Cement



Wheat



Celery



Midnight



Feather Grey

Composition: 100% Olefin

Flammability: EN 1021-1 Cigarette Test

CA Tech.Bull.117:2013

Abrasion Test: EN ISO 12947-2 >15,000 Cycles

ASTM D4157 >15,000 Cycles

ASTM D4966 >15,000Rubs

Ultraviolet protection factor: AS/NZ4399SPF50+

Color fasten to Light: BS EN ISO 105-B02B04,7-8

AATCC 16E, 3-4 at 1,200 hrs

Color fasten to Sea water: EN ISO 105-E02 , 4-5

Color fasten to Chlorine water: EN ISO 105-E03 , 4-5



Fire Proof Norms



Respects the Environment



Durability Performance



UV and FADE Resistance

MATERIALS & SWATCHES

MONOCHROME



Standard Colours



Salsa



Onyx



Olive



Demin



Aqua Teal



Chiatea

Composition: 100% Olefin

Flammability: EN 1021-1 Cigarette Test
CA Tech.Bull.117:2013

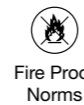
Abrasion Test: EN ISO 12947-2 >15,000 Cycles
ASTM D4157 >15,000 Cycles
ASTM D4966 >15,000Rubs

Ultraviolet protection factor: AS/NZ4399SPF50+

Color fasten to Light: BS EN ISO 105-B02B04,7-8
AATCC 16E, 3-4 at 1,200 hrs

Color fasten to Sea water: EN ISO 105-E02 , 4-5

Color fasten to Chlorine water: EN ISO 105-E03 , 4-5



Fire Proof Norms



Respects the Environment



Durability Performance



UV and FADE Resistance

MATERIALS & SWATCHES

ARIZONA



Standard Colours



Forest



Camel



Taupe



Tabac



Red



Moataza



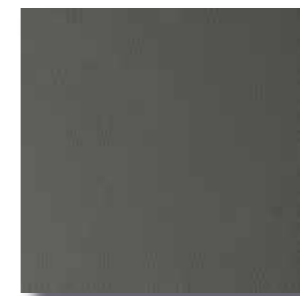
Ice



Blue



Black



Ash

Composition: 91% PVC 9% PU

Flammability: BS 5852 Part I - Cigarette
EN 1021-1 Cigarette Test
CA Tech.Bull.117:2013

Abrasion Test: EN ISO12947-1,2 > 100,000

Resistance to Hydrolysis: 8 Years

Color fasten to Rubbing: EN IS105-X12
(Dry:5 , Wet:5)

Color fasten to Light: EN ISO 105 -B02 Class 5



Advance Fabric



Anti-Stain



Fire Proof Norms



Durability Performance



Anti-Bacterial



Easy Care



REACH COMPLIANT



Resistance to Hydrolysis

MATERIALS & SWATCHES

TOKYO



Standard Colours



Anthracite



Avocat



Black



Lamel



Espirit



Forest



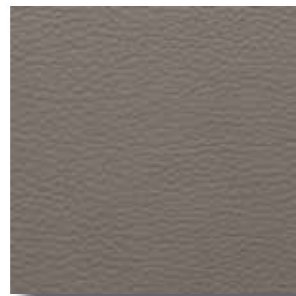
Mostaza



Tabacco



Taupe



Toffee

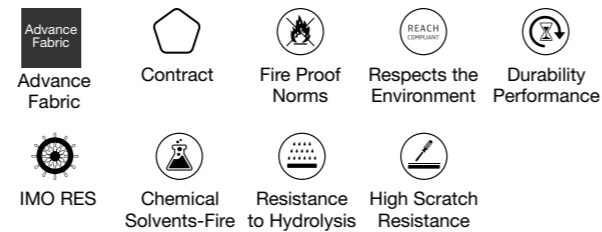
Composition: 100% Polyurethane
 Flammability: BS 5852 Part I - Cigarette
 EN 1021-1 Cigarette Test
 CA Tech.Bull.117:2013
 NFPA 260-Cig.Test

Abrasion Test: EN ISO12947-1,2 > 500,000

Resistance to Hydrolysis: 8 Years

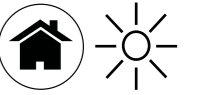
Color fasten to Rubbing: EN IS105-X12
 (Dry:5 , Wet:5)

Color fasten to Light: EN ISO 105 -B02 Class 4



MATERIALS & SWATCHES

NAPPATECH



Standard Colours



Anthracite



Aquamarine



Black



Cement



Forest



Ivory



Lima



Marsala



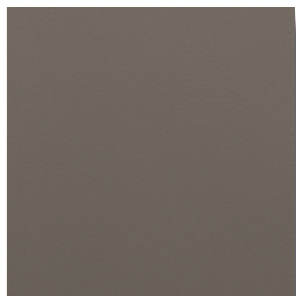
Olive



Pearl



Sky



Taupe

Composition: 100% PVC
 Flammability: BS 5852 Part I - Cigarette
 EN 1021-1 Cigarette Test
 CA Tech.Bull.117:2013
 NFPA 260-Cig.Test

Abrasion Test: EN ISO12947-1,2 > 300,000

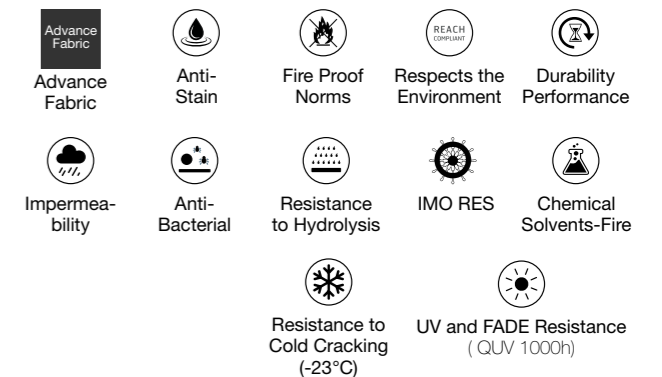
Resistance to Hydrolysis: 10 Years

UV and FADE Resistance: QUV 1,000 hours
 Color fasten to Rubbing: EN IS105-X12(Dry:5 , Wet:5)

Color fasten to Light: EN ISO 105 -B02 ,Level 7

Color fasten to Sea water: EN ISO 105-E02 , Class 5

Color fasten to Chlorine water: EN ISO 105-E03 , Class 5



MATERIALS & SWATCHES

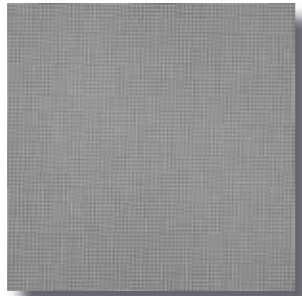
SLING



Standard Colours



SL 01



SL 02



SL 03



SL 04



SL 05



SL 06



SL 07

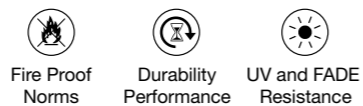
Composition : **SL01, SL02, SL03, SL04**
 - 30% polyester + 70% PVC

SL05
 - 6% Acrylic +24% Polyester
 + 60% PVC

SL06
 - 18% Olefin + 21% Polyester
 + 61% PVC

Color-fastness : ISO 4892-3: 2016 Cycle 1 ;
 ISO 105-A02: 1993
 /Cor.2:2005, 3-4

Bacterial &
 Fungal Resistance : ASTM E 2180-18 ;
 ASTM G 21-15



MATERIALS & SWATCHES

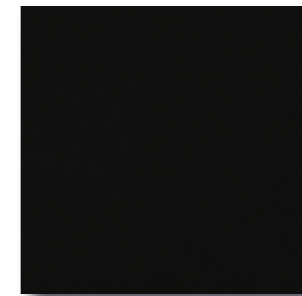
POLYPROPYLENE



Standard Colours



PB-2 Crimson Red



PB-3 Black



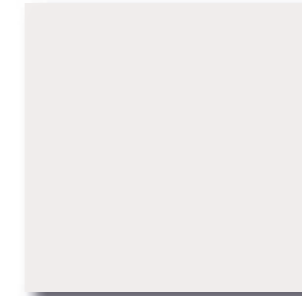
PB-7 Sand



PB-8 Slate Grey

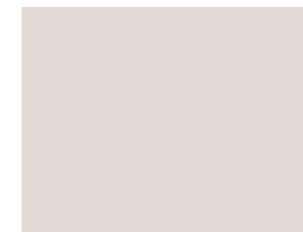


PB-15 Deep Blue



PB-18 White

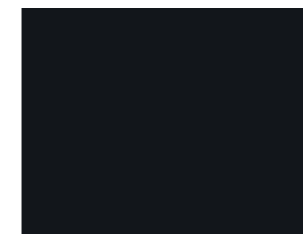
Ocean Bound Plastic



OP-2 White Sand



OP-4 Moss Green



OP-3 Onyx



OP-6 Cool Grey



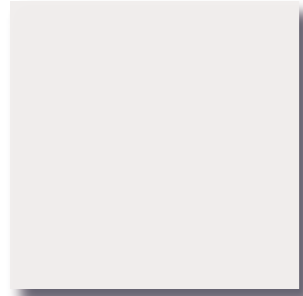
OP-7 Taupe

MATERIALS & SWATCHES

POLYETHYLENE



Standard Colours



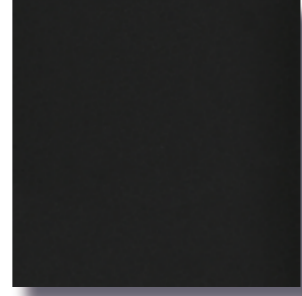
R-2 White



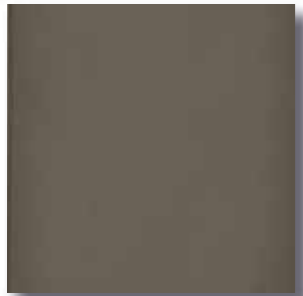
R-14 Lime Green



R-20 Sand



R-3 Black



R-21 Cement



R-23 Denim Blue



R-28 Paprika



R-29 Ochre

MATERIALS & SWATCHES

BAMBOO STRAND



Standard Colours



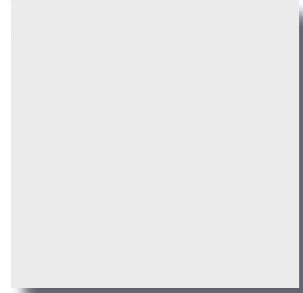
Natural

MATERIALS & SWATCHES

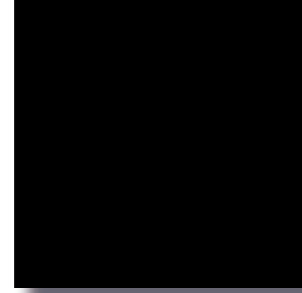
PHENOLIC COMPACT BOARD



Standard Colours



Snow White



Black



Walnut



Blanco Macael



Black Marqunia



Terrazzo Black



Sandstone



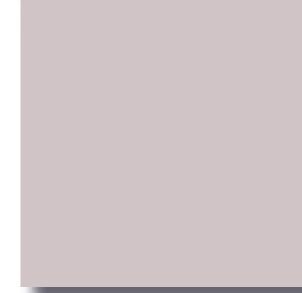
Grey Travetine



Misty Cloud

MATERIALS & SWATCHES

MDF



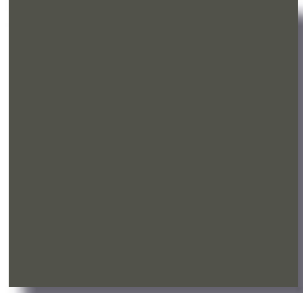
Blush



Pebble



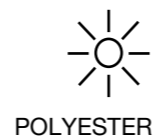
Sage



Graphite

MATERIALS & SWATCHES

WOVEN



R0601



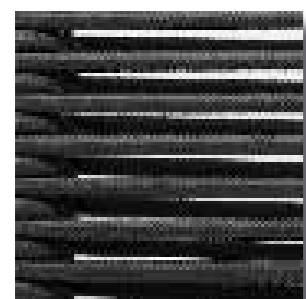
R0602



R0603



R0604



R0605



R01501



R01502



R01503



R01504



R01505



R03001



R03002



R03003



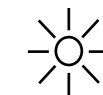
R03004



R03005

MATERIALS & SWATCHES

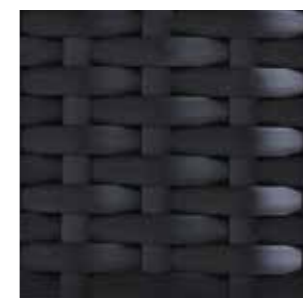
WOVEN



PE WICKER



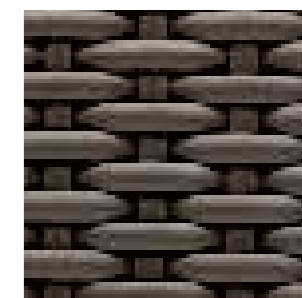
White



Black



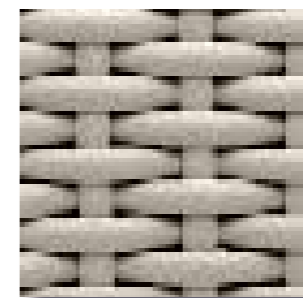
Natural



Slate Grey



Black



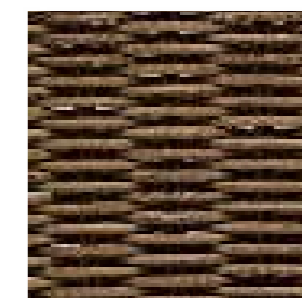
White Sand



White



Black



Butterscotch



✉ kds.global@kian.com

🌐 www.kiandesignstudio.com

All photographs, artist's impressions, plans, measurements, colour representations are intended for illustrative and informative purposes only. They cannot be regarded as representations of fact and are subject to change at any time. Actual finishes and details may vary.

Outdoor furniture refers to furniture that is designed for outdoor use and which is typically made of weather-resistant materials. However, furniture that remains outdoors may not be suitable for the varying humidity conditions, UV penetration, weathering and all other climatic extremes.

No reproduction or republication of this copyrighted catalogue and/or its concept is permitted, whether in whole or in part.

Copyright © 2026/27 Kian Group of Companies. All Rights Reserved.

K D S

ART DIRECTION:
Enrique Martí Associates

www.kiandesignstudio.com

KDS26.01

K D S

www.kiandesignstudio.com

